

BMI[®]

Measuring Instruments

...measuring the progress





made in
Germany

BMI[®]

Our Intentions

As a private enterprise that has been owned by our family for more than 50 years, we feel particularly committed to our customers' interests.


One of our major intentions is to live up to the reputation and tradition of the quality label "made in Germany".

In the North Bavaria town of Hersbruck we manufacture high-quality measurement tools for the most diversified applications. These products meet the highest demands of trade and industry. On top of that, BMI succeeds in combining tradition and innovation.

This is also highlighted by our way into laser levelling. Since 1993, BMI has been one of the leading manufacturers in this technology.

A further indication of the continuous innovation are more than 40 active patents.

Some of our patented milestones in the development and production of practical measuring instruments are

- 
- 1986** The introduction of unique spirit levels whose vials have been unalterably fixed by means of ultrasonic welding
 - 1986** The minimization of a tape breakage hazard through the FLEXTOP tip for measuring tapes
 - 1992** Measuring tape frames with ball bearings of the ERGOLINE series for left and right handers
 - 1997** Hightech manufacture of EUROSTAR with unbreakable, laser-marked vials.
 - 1999** The levelling laser BMI Magic and its universal usage
 - 2001** Introduction of the enclosed series, RADIUS for measuring tapes
 - 2003** Presenting the robust, waterproof construction laser NAUTILUS IPX7
 - 2005** topoMAT – sold more than 10.000 times – becomes rainproof according to the IP55 standard
 - 2007** Quicky – both tape and folding rule in one
 - 2010** POLYWOOD – the first spirit level with attributes "non-sparking tool" and "fully insulated up to 1000 volts according to EN60900:2004"
 - 2011** **BMI**meter with stop and beltclip

It has been, and remains our first priority to equip you with up-to-date premium quality measuring instruments



Hans Keller

Manager and Sole Proprietor

Content



Measuring Tapes, Frame- and Case-Type 5



Pocket Tapes 29



Spirit Levels 34



LASER-Technology 44



Rules 53



Squares 58



These BMI advantages are your benefit:



Frame designed according to ergonomic requirements



Can be modified from right-hand to left-hand operation within seconds



Ball bearings resistant to wear for most convenient handling



Aluminium profiles resistant to bending



Wear-resistant tape outlet of high tech plastic

Measuring Tapes, Frame- and Case-Type

Measuring tapes by BMI, that means patented features which ease the work of professionals and "do it yourselfers" alike, protect the tool itself and thus save time and money. All the three frame series are ergonomically designed, can be modified from right-hand to left-hand operation in no time, and are even equipped with slide or ball bearings.

The FLEXTOP tip which is optionally available without extra charge prevents breakage at the tape end. Our broad range of tape designs with regard to lengths, materials and graduation layout provide the user with the perfect solution for every measuring task. The RADIUS case series also includes many of these features, of course.

Measuring tapes by BMI are certainly the right choice

ADVANTAGES

- Tapes comply to the EC accuracy classes I, II or III. Many of them are EC type-approved and are thus suitable for calibration
- Frames designed according to ergonomic requirements
- Can be modified from right-hand to left-hand operation within a second
- Ball bearings resistant to wear for most convenient handling of the ERGOLINE frame
- Low-wear slide bearings for BASIC and STANDARD frames
- The FLEXTOP tip prevents breakage at the tape commencement (see page 12)
- Park position for the tape commencement ring and crank arm



Nothing can scratch me!

- Measuring tapes with this symbol have a transparent coating as wearing protection, 10 times stronger than any other non-abrasive coatings! You will obtain many of these advantages from BMI only, as they have been patented!



Park position for tape commencement ring



Park position for crank arm



**The FLEXTOP tip prevents breakage at the tape commencement
(See also page 12)**



RADIUS case with easy grip soft-touch surface

ERGOLINE

ERGOLINE frame series

Ergonomically shaped frame with easy-to-grip, soft rubber protrusions.

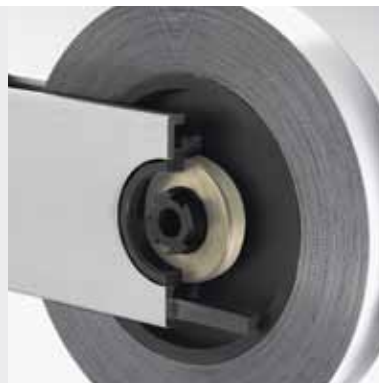
Park position for crank arm and tape commencement ring.
Ball bearings for highest winding convenience.



STANDARD

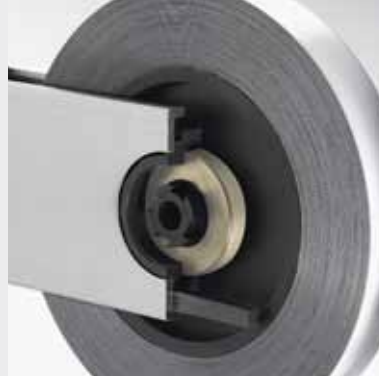
STANDARD frame series

Like ERGOLINE, but with plastic slide rings instead of ball bearings,
without soft rubber protrusions.



BASIC

BASIC frame series
Ultrasonic welded high-impact plastic frame. Important features as in ERGOLINE, but with slide rings instead of ball bearings.



We deliver long-length tapes with STANDARD V-frame



RADIUS

RADIUS case series
Ergonomically shaped case with large crank arm and park position for commencement ring. Slide bearing shells for highest winding comfort. With easy grip soft-touch surface



555 case series

555 case series

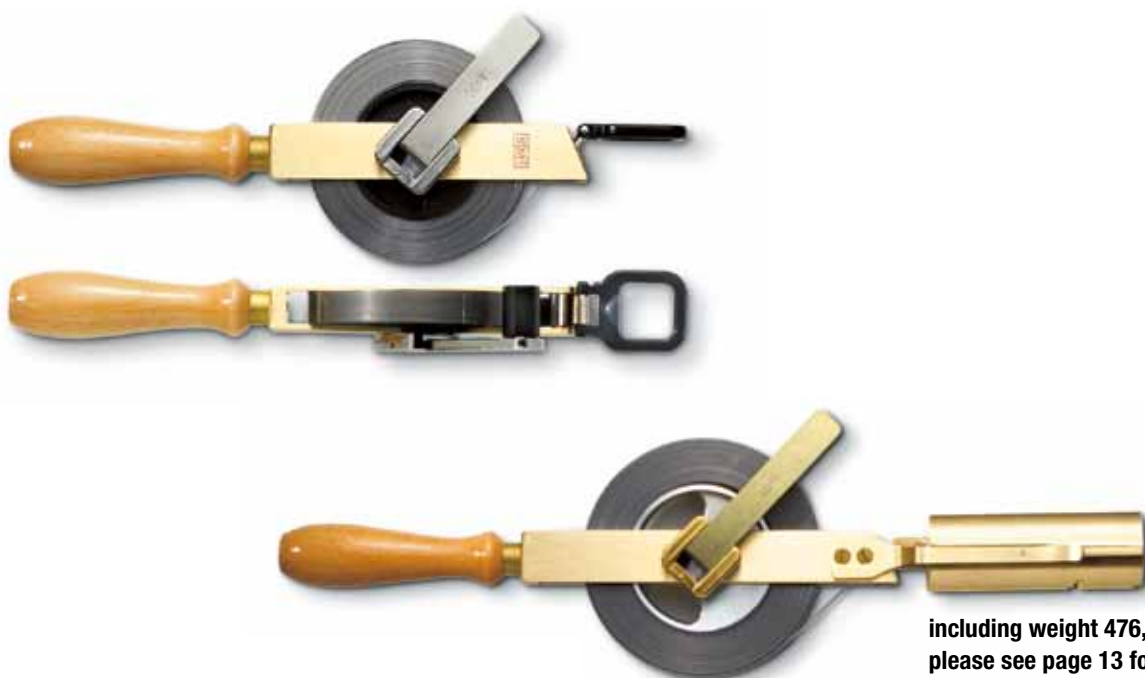
Handy case tape made of shock-resistant plastics.
Carrying strap. **Tape width 10 mm**



Brass frames

Dipping tapes, suitable for calibration (large fig.)

Brass frames for stainless steel tapes small fig.)



including weight 476,
please see page 13 for description,
suitable for calibration

Graduation lay-out

Graduations available.
Custom made graduations on request



1: (cm)



2: (cm/cm)



3: (cm/inch)



4: (mm)



5: (mm/inch)

Measurement Commencements

A:
Measurement commencement
approx. 10 cm after end fitting



B:
Measurement commencement
at front fitting edge



C:
Measuring commencement
at front ring edge



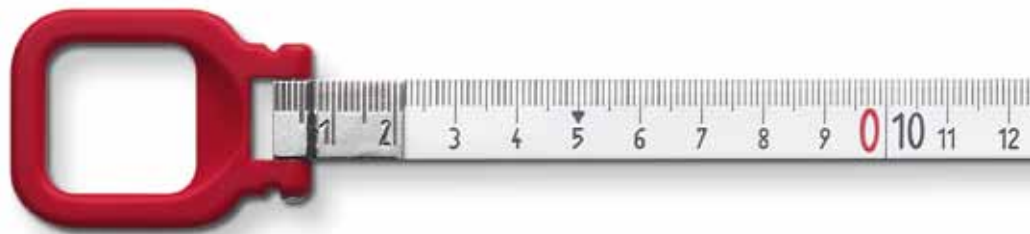
L:
Measurement commencement
at the bottom edge of the weight



Tape Commencements

For all steel measuring tapes
13 mm, pull ring made of
break-proof plastic, 2 notches
for weights.

**This commencement will be
delivered when no special
commencement is mentioned**



F:
FLEXTOP tip made of trans-
parent, highly-flexible plastic;
reliably prevents breakage at the
tape commencements.

For all steel measuring tapes
13 mm, pull ring made of
break-proof plastic, 2 notches
for weights.



BHF:
Hookring with FLEXTOP tip,
measurement commencement B



CHF:
Hookring with FLEXTOP tip,
measurement commencement C



M:
Metal commencement with
metal ring





Weight 11
Brass, cylindrical, no graduation, length 170 mm, diameter 24 mm, weight 500 g (can be removed from the tape)

Order No.
340 00 11



Weight 16
Stainless steel cylindrical, engraved mm scale on one and inch scale on the other side, length 113 mm, diameter 24 mm, weight 400 g (cannot be removed from the tape)

Order No.
340 02 16



Weight 14
Brass cylindrical, engraved mm scale on one and inch scale on the other side, length 80 mm, diameter 24 mm, weight 300 g (cannot be removed from the tape)

Order No.
340 02 14



Weight 10
Brass cylindrical, engraved mm scale on one and inch scale on the other side, length 89 mm, diameter 24 mm, weight 300 g (can be removed from the tape)

Order No.
340 02 10



Weight 30
Brass cylindrical, torpedo-shaped ends, mm scale engraved on one side, length 153 mm, diameter 30 mm, weight 700 g (cannot be removed from the tape), **suitable for calibration**

Order No.
340 01 30



Weight 31 according to IPM Standard
Brass cylindrical, torpedo-shaped ends, mm scale engraved on one side, length 156 mm, diameter 30 mm, weight 700 g (can be removed from the tape)

Order No.
340 01 31 IPM



Weight 476
Brass cylindrical, length 100 mm, diameter 45 mm, weight 660 g (cannot be removed from the tape), **suitable for calibration**

see order overview at page 22

Custom made measuring tapes

For example self adhesive tapes with graduation from right to left side

We are pleased to produce custom made measuring tapes for you (see page 28). Please contact us

Interesting facts about measuring tapes

Accuracy:

BMI measuring tapes have been manufactured according to the highest quality standards in Germany. Within the scope of product liability we guarantee for the observation of tolerances according to EC accuracy classes for metric graduations.

Our standard is

- for steel tapes:
class II (class I option for an extra charge)
- for glass fibre reinforced measuring tapes: class II or III

Tolerances according to EC accuracy classes:

- I: $\pm 1,1$ mm in 10 m
- II: $\pm 2,3$ mm in 10 m
- III: $\pm 4,6$ mm in 10 m

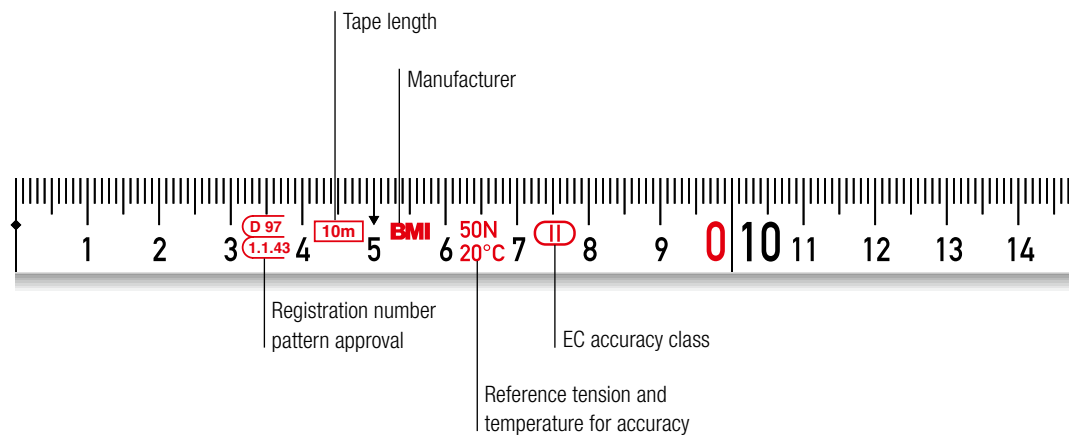
High-quality measuring tapes can be recognized from the different imprints at the tape end. There you will find the manufacturer's label, the number of the EC type approval, the EC class accuracy, the reference temperature and the tension for which the manufacturer guarantees the observation of measurement tolerances according to the EC class accuracy.

Certificate of Conformity:

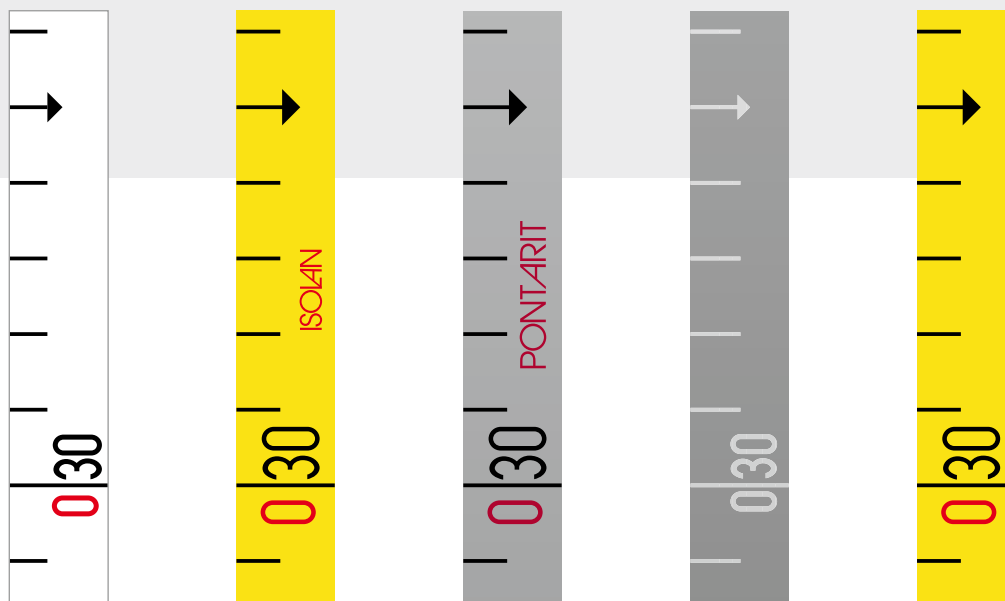
For all measuring tapes with a metric graduation we will issue a certificate of conformity, if required. Compliance of the tape widths with the respective EC type approval and the observation of measuring tolerances according to EC accuracy classes are certified herein (Surcharge).

Calibration:

All measuring tapes with a metric graduation are EEC pattern approved and can be calibrated for an extra charge. This calibration is valid in all EU member states. Some dipping tapes, however, are exempted.



Recommended usage



Tape quality:	Steel, white enamelled, printed graduation	Steel, yellow enamelled, printed graduation, with polyamide coating, "ISOLAN"	Refined steel, printed graduation, "PONTARIT"	Refined steel, high etched graduation,	Glassfibre, reinforced plastic, printed graduation
Characteristics:					
stainless	+	++	+++	+++	+++
acid-proof		+		+++	
proved for oil				+++	
non-conductive (insulated)					+++
unbreakable/flexible	+	++	++	++	+++
resistant to wear	++	+++	+	++	+
readability	+++	+++	++	+	+++
Recommended use:	universal, normal use	universal, toughest demands	also in wet environment	also in chemical aggressive environment	universal, weaker demands
Equipment options:					
Graduation	cm, cm/cm, mm, mm/inch	cm, cm/cm, mm, mm/inch	cm, cm/cm, mm, mm/inch	cm, cm/cm, mm, mm/inch	cm, cm/cm, cm/inch
Lengths	10 to 100 m	10 to 100 m	10 to 100 m	10 to 100 m	10 to 100 m
Measurement commence.	A, B, C, L	A, B, C, L	A, B, C, L	A, B, C, L	A, B, C
Tape commencements	all	all	all	all	all, but no Flextop
Accuracy:					
EC class	II, (I possible)	II, (I possible)	II, (I possible)	II, (I possible)	Graduation II on one side graduation III on two sides
Suitability for calibration	all variants on A and B, CH, L30	all variants on A and B, CH, L30	all variants on A and B, CH, L30	all variants on A and B, CH, L30, L476	all variants on A and B, CH

+ = for limited use
 ++ = good for use
 +++ = best suited for

Order survey tape quality

White enamelled 13 mm



This is how your order no. could look like:

301 01 1 010 A F

white enamelled measuring tape, printed graduation



Type	Frame size	Graduation number	Length meter	Measurement commencement	Tape commencement
301	01	X	010	X	X
301	01	X	015	X	X
301	01	X	020	X	X
301	02	X	025	X	X
301	02	X	030	X	X
301	02	X	050	X	X



Type	Frame size	Graduation number	Length meter	Measurement commencement	Tape commencement
301	03	X	050	X	X
301	04	X	100	X	X



Type	Frame size	Graduation number	Length meter	Measurement commencement	Tape commencement
501	01	X	010	X	X
501	01	X	015	X	X
501	01	X	020	X	X
501	02	X	025	X	X
501	02	X	030	X	X
501	02	X	050	X	X



Type	Frame size	Graduation number	Length meter	Measurement commencement	Tape commencement
501	03	X	050	X	X
501	04	X	100	X	X

Please choose numbers and capital letters of desired tape features and transfer them to your order no.

Graduations

1 (cm)	
4 (mm)	
5 (mm/inch)	

25% surcharge

Measurement commencements

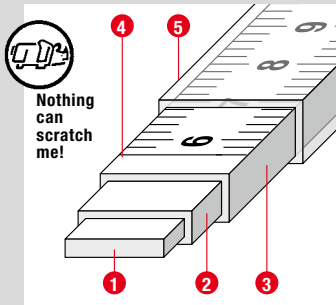
A	
B	
C	
L	

Please order weight separately, see p.13 for model variants

Tape commencements (optional)

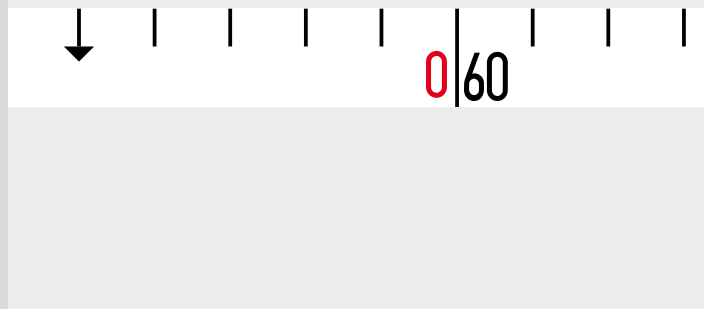
F (FLEXTOP)	
HF (hookring flexible, surcharge)	
M (metal ring)	

for measurement commencement B
for measurement commencement C



Tape structures

- 1 Concaved, tempered spring blade steel of high stability
- 2 Anticorrosive phosphate coating
- 3 Synthetic resin, stoved
- 4 Printed graduation with red meter figures
- 5 Clear varnish to protect against wear, stoved



Type	Frame size	Graduation number	Length meter	Measurement commencement	Tape commencement
501	31	X	010	X	X
501	31	X	015	X	X
501	31	X	020	X	X
501	31	X	025	X	X
501	31	X	030	X	X
501	32	X	050	X	X

Type	Frame size	Graduation number	Length meter	Measurement commencement	Tape commencement
501	34	X	100	X	X

Type	Frame size	Graduation number	Length meter	Measurement commencement	Tape commencement
501	21	X	010	X	X
501	21	X	015	X	X
501	21	X	020	X	X
501	22	X	025	X	X
501	22	X	030	X	X
501	23	X	050	X	X

Type	Frame size	Graduation number	Length meter	Measurement commencement	Tape commencement
501	00	X	001	X	X
501	00	X	002	X	X
501	00	X	005	X	X
501	00	X	010	X	X
501	00	X	015	X	X
501	00	X	020	X	X
501	00	X	025	X	X
501	00	X	030	X	X
501	00	X	050	X	X
501	00	X	100	X	X

BASIC

Size 1/2



Size 3/4



equal to Standard 3/4

RADIUS case



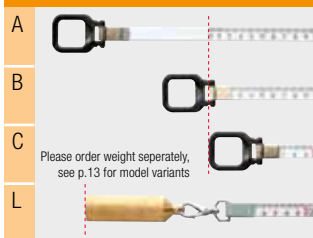
Replacement tapes

Graduations

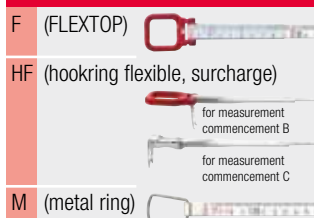
1 (cm)	
4 (mm)	
5 (mm/inch)	

25% surcharge

Measurement commencements



Tape commencements (optional)



Please choose numbers and capital letters of desired tape features and transfer them to your order no.

Order survey tape quality

ISOLAN 13 mm

ISOLAN tape, polyamide coating, printed graduation

This is how your order no. could look like:

305 01 1 010 A F

ERGOLINE

Size 1/2



Size 3/4



STANDARD

Size 1/2



Size 3/4



Type	Frame size	Graduation number	Length meter	Measurement commencement	Tape commencement
305	01	X	010	X	X
305	01	X	015	X	X
305	01	X	020	X	X
305	02	X	025	X	X
305	02	X	030	X	X

Type	Frame size	Graduation number	Length meter	Measurement commencement	Tape commencement
305	03	X	030	X	X
305	03	X	050	X	X
305	04	X	100	X	X

Type	Frame size	Graduation number	Length meter	Measurement commencement	Tape commencement
505	01	X	010	X	X
505	01	X	015	X	X
505	01	X	020	X	X
505	02	X	025	X	X
505	02	X	030	X	X

Type	Frame size	Graduation number	Length meter	Measurement commencement	Tape commencement
505	03	X	030	X	X
505	03	X	050	X	X
505	04	X	100	X	X

Please choose numbers and capital letters of desired tape features and transfer them to your order no.

Graduations

1 (cm)	
4 (mm)	
5 (mm/inch) 25% surcharge	

Measurement commencements

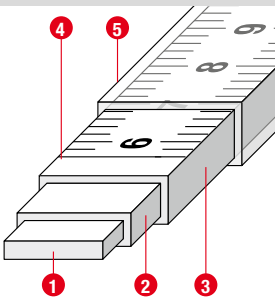
A	
B	
C	
L	

Please order weight separately, see p.13 for model variants

Tape commencements (optional)

F (FLEXTOP)	
HF (hookring flexible, surcharge)	
M (metal ring)	

for measurement commencement B
for measurement commencement C



Tape structures

- 1 Tempered spring blade made of carbon steel C 75
- 2 Anticorrosive phosphate layer
- 3 Yellow synthetic resin, stoved
- 4 Printed graduation with red metre digits
- 5 Polyamide coating against wear*



* resistant to alkalis, saline solutions, grease, oils and diluted acids

Type	Frame size	Graduation number	Length meter	Measurement commencement	Tape commencement
505	31	X	010	X	X
505	31	X	015	X	X
505	31	X	020	X	X
505	32	X	025	X	X
505	32	X	030	X	X

Type	Frame size	Graduation number	Length meter	Measurement commencement	Tape commencement
505	34	X	050	X	X

Type	Frame size	Graduation number	Length meter	Measurement commencement	Tape commencement
505	21	X	010	X	X
505	21	X	015	X	X
505	22	X	020	X	X
505	22	X	025	X	X
505	23	X	030	X	X
505	23	X	050	X	X

Type	Frame size	Graduation number	Length meter	Measurement commencement	Tape commencement
505	00	X	001	X	X
505	00	X	002	X	X
505	00	X	005	X	X
505	00	X	010	X	X
505	00	X	015	X	X
505	00	X	020	X	X
505	00	X	025	X	X
505	00	X	030	X	X
505	00	X	050	X	X
505	00	X	100	X	X

BASIC

Size 1/2



Size 3/4



equal to Standard 3/4

RADIUS case



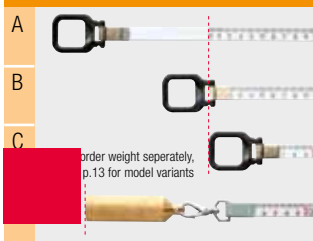
Replacement tapes

Graduations

1 (cm)	
4 (mm)	
5 (mm/inch)	

25% surcharge

Measurement commencements



Tape commencements (optional)

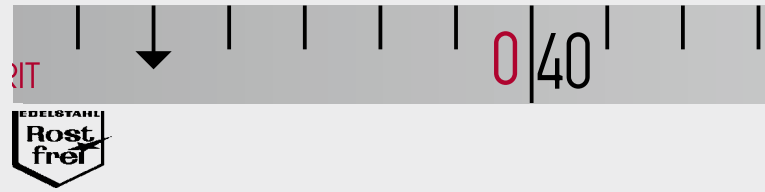
F (FLEXTOP)	
HF (hookring flexible, surcharge)	
M (metal ring)	

for measurement commencement B
for measurement commencement C

Please choose numbers and capital letters of desired tape features and transfer them to your order no.

Order survey tape quality

PONTARIT 13 mm



This is how your order no. could look like:

315 01 1 010 A F

PONTARIT stainless steel tape, printed graduation

ERGOLINE

Size 1/2



Size 3/4



STANDARD

Size 1/2



Size 3/4



Type	Frame size	Graduation number	Length meter	Measurement commencement	Tape commencement
315	01	X	010	X	X
315	01	X	015	X	X
315	01	X	020	X	X
315	02	X	025	X	X
315	02	X	030	X	X
315	02	X	050	X	X

Type	Frame size	Graduation number	Length meter	Measurement commencement	Tape commencement
315	03	X	050	X	X
315	04	X	100	X	X

Type	Frame size	Graduation number	Length meter	Measurement commencement	Tape commencement
515	01	X	010	X	X
515	01	X	015	X	X
515	01	X	020	X	X
515	02	X	025	X	X
515	02	X	030	X	X
515	02	X	050	X	X

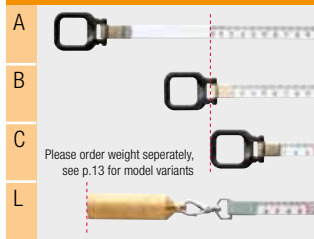
Type	Frame size	Graduation number	Length meter	Measurement commencement	Tape commencement
515	03	X	050	X	X
515	04	X	100	X	X

Please choose numbers and capital letters of desired tape features and transfer them to your order no.

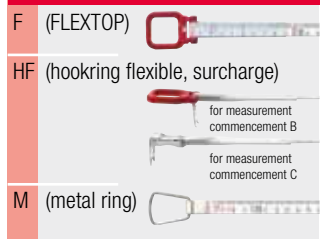
Graduations

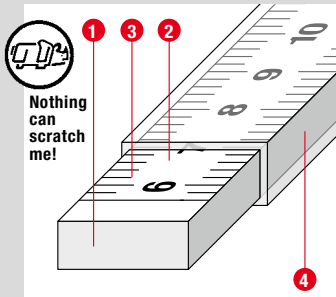


Measurement commencements



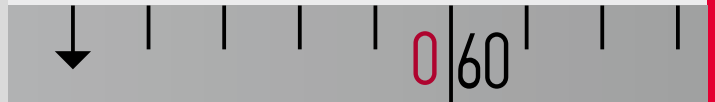
Tape commencements (optional)





Tape structures

- 1 Strain-hardened spring blade made of stainless chrome nickel steel
- 2 Matt-pickled surface
- 3 Printed graduation with red metre digits
- 4 Clear varnish against wear, stoved



Type	Frame size	Graduation number	Length meter	Measurement commencement	Tape commencement
515	31	X	010	X	X
515	31	X	015	X	X
515	31	X	020	X	X
515	31	X	025	X	X
515	31	X	030	X	X
515	32	X	050	X	X

Type	Frame size	Graduation number	Length meter	Measurement commencement	Tape commencement
515	34	X	100	X	X

Type	Frame size	Graduation number	Length meter	Measurement commencement	Tape commencement
515	21	X	010	X	X
515	21	X	015	X	X
515	21	X	020	X	X
515	22	X	025	X	X
515	22	X	030	X	X
515	23	X	050	X	X

Type	Frame size	Graduation number	Length meter	Measurement commencement	Tape commencement
515	00	X	010	X	X
515	00	X	015	X	X
515	00	X	020	X	X
515	00	X	025	X	X
515	00	X	030	X	X
515	00	X	050	X	X
515	00	X	100	X	X

BASIC

Size 1/2



Size 3/4



equal to Standard 3/4

RADIUS case

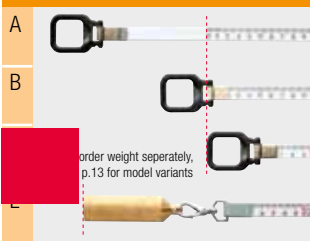


Replacement tapes

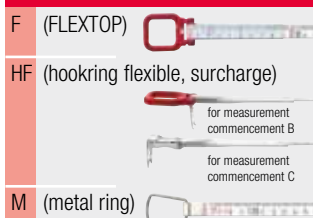
Graduations



Measurement commencements



Tape commencements (optional)



Please choose numbers and capital letters of desired tape features and transfer them to your order no.

Order survey tape quality

High etched 13 mm



This is how your order no. could look like:

309 01 1 010 A F

ERGOLINE

Size 1/2



Size 3/4



STANDARD

Size 1/2



Size 3/4



Brass frame series



including weight 476
Please see p.13 for description,
suitable for calibration

Type	Frame size	Graduation number	Length meter	Measurement commencement	Tape commencement
309	01	X	010	X	X
309	01	X	015	X	X
309	01	X	020	X	X
309	02	X	025	X	X
309	02	X	030	X	X
309	02	X	050	X	X

Type	Frame size	Graduation number	Length meter	Measurement commencement	Tape commencement
309	03	X	050	X	X
309	04	X	100	X	X

Type	Frame size	Graduation number	Length meter	Measurement commencement	Tape commencement
509	01	X	010	X	X
509	01	X	015	X	X
509	01	X	020	X	X
509	02	X	025	X	X
509	02	X	030	X	X
509	02	X	050	X	X

Type	Frame size	Graduation number	Length meter	Measurement commencement	Tape commencement
509	03	X	050	X	X
509	04	X	100	X	X

Type	Frame size	Graduation number	Length meter	Measurement commencement	Tape commencement
309	12	4	010	L	476
309	12	4	015	L	476
309	12	4	020	L	476
309	12	4	025	L	476
309	12	4	030	L	476
309	12	4	050	L	476

Please choose numbers and capital letters of desired tape features and transfer them to your order no.

Graduations	
1 (cm)	
4 (mm)	
5 (mm/inch)	

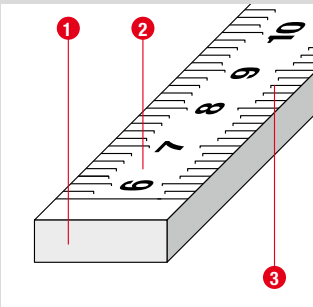
25% surcharge

Measurement commencements	
A	
B	
C	
L	

Please order weight separately, see p.13 for model variants

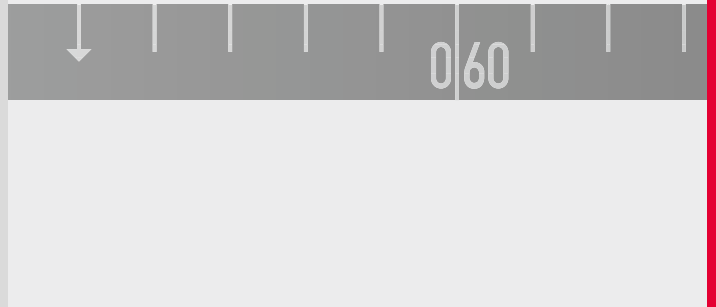
Tape commencements (optional)	
F (FLEXTOP)	
HF (hookring flexible, surcharge)	
M (metal ring)	

for measurement commencement B
for measurement commencement C



Tape structures

- 1 Strain-hardened spring blade made of stainless chrome steel
- 2 Lowered, etched surface
- 3 Raised, polished graduation



Type	Frame size	Graduation number	Length meter	Measurement commencement	Tape commencement
509	31	X	010	X	X
509	31	X	015	X	X
509	31	X	020	X	X
509	31	X	025	X	X
509	31	X	030	X	X
509	32	X	050	X	X

Type	Frame size	Graduation number	Length meter	Measurement commencement	Tape commencement
509	34	X	100	X	X

Type	Frame size	Graduation number	Length meter	Measurement commencement	Tape commencement
509	21	X	010	X	X
509	21	X	015	X	X
509	21	X	020	X	X
509	22	X	025	X	X
509	22	X	030	X	X
509	23	X	050	X	X

Type	Frame size	Graduation number	Length meter	Measurement commencement	Tape commencement
509	00	X	010	X	X
509	00	X	015	X	X
509	00	X	020	X	X
509	00	X	025	X	X
509	00	X	030	X	X
509	00	X	050	X	X
509	00	X	100	X	X

BASIC

Size 1/2



Size 3/4



equal to Standard 3/4

RADIUS case



Replacement tapes

Graduations

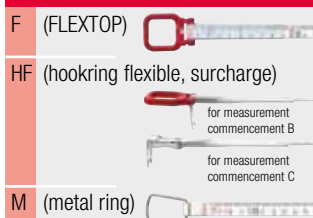
1 (cm)	
4 (mm)	
5 (mm/inch)	

25% surcharge

Measurement commencements



Tape commencements (optional)



Please choose numbers and capital letters of desired tape features and transfer them to your order no.

Order survey tape quality

Plastic 13 mm



This is how your order no. could look like:

320 01 1 010 A

Plastic measuring tape, glass fibre reinforced

ERGOLINE

Size 1/2



Size 3/4



Type	Frame size	Graduation number	Length meter	Measurement commencement	Tape commencement
320	01	X	010	X	X
320	02	X	015	X	X
320	02	X	020	X	X
320	02	X	025	X	X

Type	Frame size	Graduation number	Length meter	Measurement commencement	Tape commencement
320	03	X	030	X	X
320	04	X	050	X	X

STANDARD

Size 1/2



Size 3/4



Type	Frame size	Graduation number	Length meter	Measurement commencement	Tape commencement
520	01	X	010	X	X
520	02	X	015	X	X
520	02	X	020	X	X
520	02	X	025	X	X

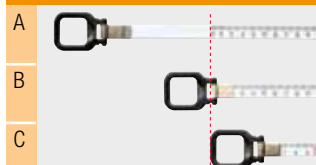
Type	Frame size	Graduation number	Length meter	Measurement commencement	Tape commencement
520	03	X	030	X	X
520	03	X	050	X	X
520	04	X	100	X	X

Please choose numbers and capital letters of desired tape features and transfer them to your order no.

Graduations

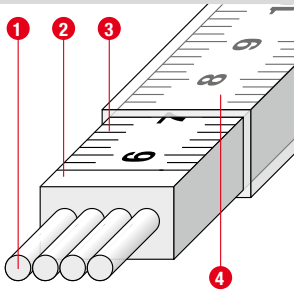
1 (cm)	
2 (cm/cm)	
3 (cm/inch) 25% surcharge	

Measurement commencements



Tape commencements (optional)





Tape structures

- 1 Glass fibres
- 2 Extruded plastic coating
- 3 Printed graduation with red metre digits
- 4 Varnished against wear



Type	Frame size	Graduation number	Length meter	Measurement commencement	Tape commencement
520	31	X	010	X	X
520	31	X	015	X	X
520	32	X	020	X	X
520	32	X	025	X	X

Type	Frame size	Graduation number	Length meter	Measurement commencement	Tape commencement
520	33	X	030	X	X
520	34	X	050	X	X
520	34	X	100	X	X

Type	Frame size	Graduation number	Length meter	Measurement commencement	Tape commencement
520	21	X	010	X	X
520	22	X	015	X	X
520	22	X	020	X	X
520	23	X	025	X	X
520	23	X	030	X	X

Type	Frame size	Graduation number	Length meter	Measurement commencement	Tape commencement
520	00	X	010	X	X
520	00	X	015	X	X
520	00	X	020	X	X
520	00	X	025	X	X
520	00	X	030	X	X
520	00	X	050	X	X
520	00	X	100	X	X

BASIC

Size 1/2



Size 3/4



equal to Standard 3/4

RADIUS case

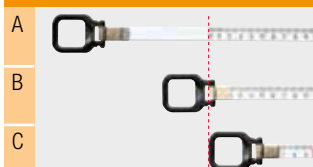


Replacement tapes

Graduations

1 (cm)	
2 (cm/cm)	
3 (cm/inch) 25% surcharge	

Measurement commencements



Tape commencements (optional)



Please choose numbers and capital letters of desired tape features and transfer them to your order no.

Order survey tape quality

High etched 13 mm



Tank dipping tapes according to IPM specification
High etched measuring tape

This is how your order no. could look like:

312 11 4 010 L 31

according to IPM specification



Type	Frame size	Graduation number	Length meter	Measurement commencement	Tape commencement
312	11	4	010	L	31
312	11	4	020	L	31
312	11	4	030	L	31
312	11	4	050	L	31

including weight 31, please see p.13 for description, mm graduation

Order survey tape quality

White enamelled, 10 mm



White enamelled measuring tape, printed graduation

This is how your order no. could look like:

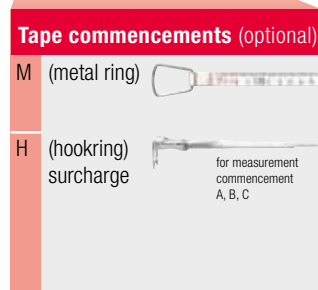
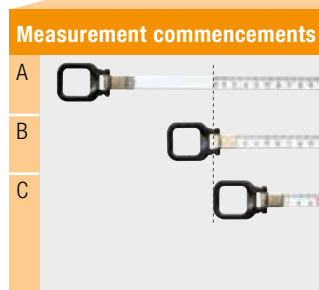
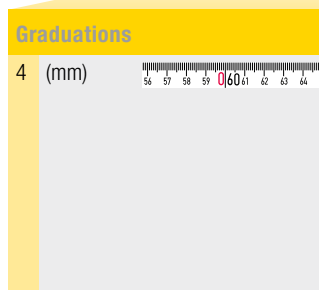
303 17 4 010 A M

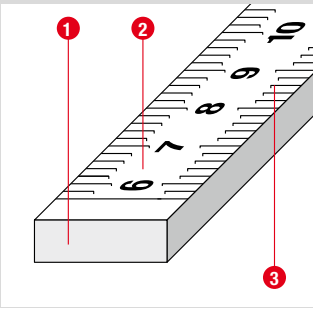
555 case series



Type	size of case	Graduation number	Length meter	Measurement commencement	Tape commencement
303	17	4	010	X	X
303	17	4	020	X	X
303	17	4	030	X	X

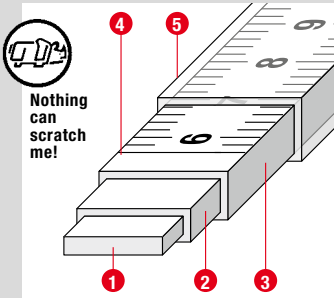
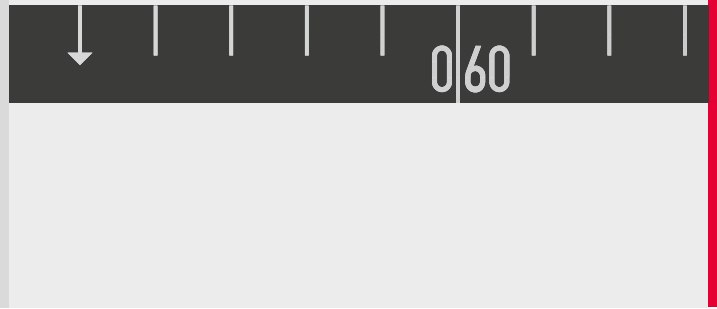
Please choose numbers and capital letters of desired tape features and transfer them to your order no.





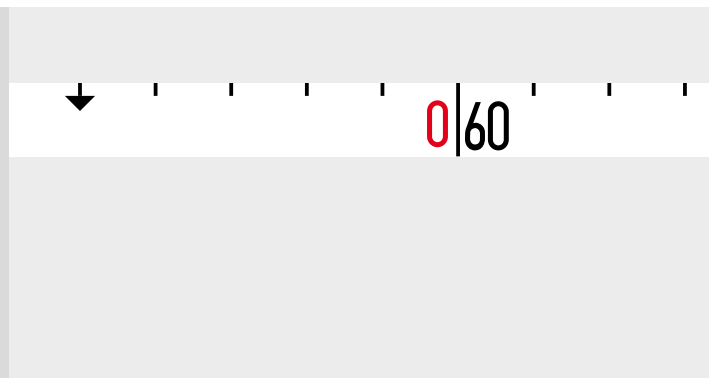
Tape structures

- 1 Strain-hardened spring blade made of stainless chrome steel
- 2 Lowered, etched surface
- 3 Raised, polished graduation



Tape structures

- 1 Tempered spring blade made of carbon steel C 75
- 2 Anticorrosive phosphate layer
- 3 White synthetic resin, stoved
- 4 Printed graduation with red metre digits
- 5 Clear varnish against wear, stoved



Custom made measuring tapes

White enamelled measuring tape, printed graduation

self-adhesive



Custom made measuring tapes

For example self adhesive tapes with graduation from right to left side

We are pleased to produce custom made measuring tapes for you. Please contact us!



End fittings

Metal sliding tip, nickel-plated, adjustable for both end-on and hook-on measurements

Internal measuring

With the IN-OUT, VISO, X 4, TOP and TOP-M models the internal measurement can conveniently be read directly from the top sight window. For other models the case length is to be added.



Pocket Tapes

Pocket tapes manufactured by BMI are versatile with regard to their use as their users' demands are diverse.

Longitudinal, internal measuring, radii, mm/mm graduation mm/inch graduation, individual case designs and much more.

There is almost no limit to your imagination. Owing to the fact that these pocket tapes are manufactured in our own works there are many design options, even for small quantities.

Our main focus is of course on precise measuring, perfect handling and long working life.

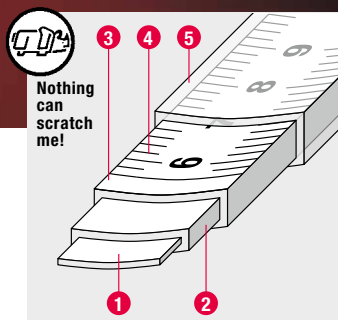
ADVANTAGES

- Durability in rough work environment through rust protection of the tapes (phosphate ground coating)



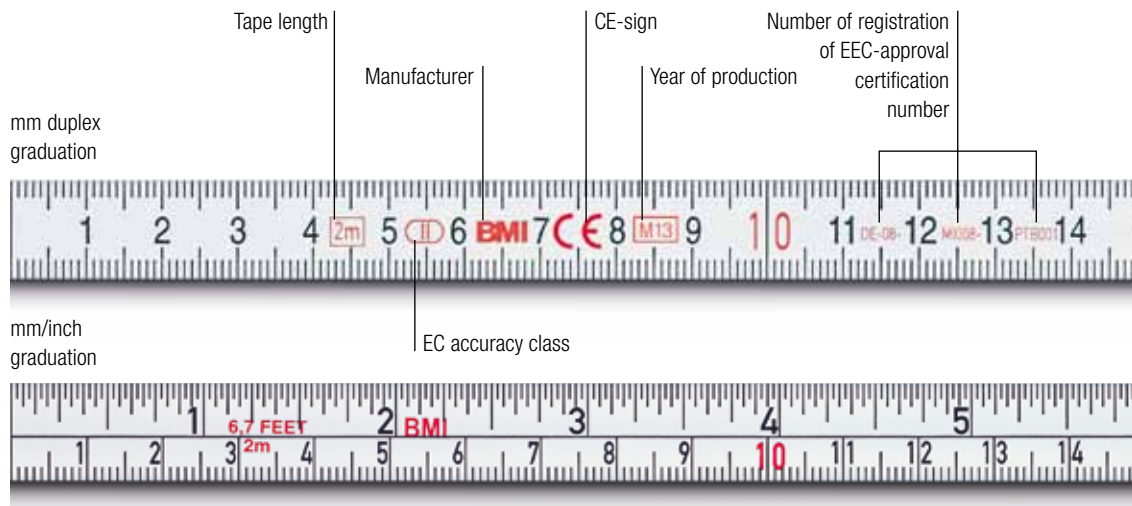
- BMI pocket tapes have a transparent coating as wearing protection, 10 times stronger than any other non-abrasive coatings!
- Long working life of the return lock spring owing to a special spring band steel
- Sophisticated interior: inserted winding coils or distance washers ensure perfectly smooth running
- Robust high-impact ABS or polyamide case
- Tapes with mm-graduation EEC pattern approved, suitable for calibration
- Accuracy acc. to EEC class II
 $2\text{ m} \pm 0,7\text{ mm}$
 $3\text{ m} \pm 0,9\text{ mm}$
 $5\text{ m} \pm 1,3\text{ mm}$
 $8\text{ m} \pm 1,9\text{ mm}$

You will recognize high-quality measuring tapes by these imprints:



Tape structure

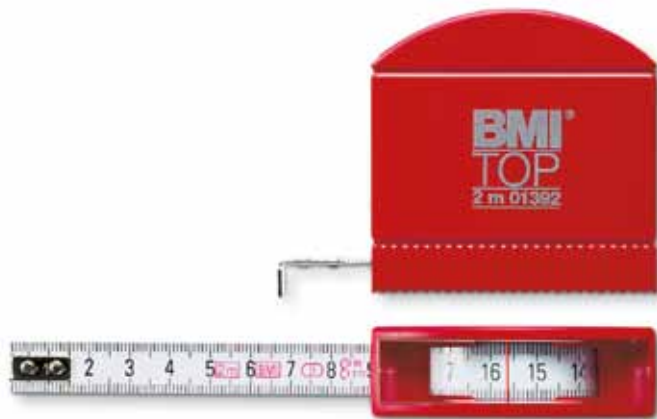
- 1 Concaved, tempered spring blade steel of high stability
- 2 Anticorrosive phosphate coating
- 3 Synthetic resin, stoved
- 4 Printed graduation with red meter figures
- 5 Clear varnish to protect against wear, stoved



Pocket Tapes

407 TOP / 406 TOP-M

Internal measuring tape (see page 30) without lock. Top sight window with magnifying effect. The graduation in the window is not displayed upside down (no reading errors possible). Polyamide case. Free-running blade in push-pull execution. Lengths 3 m with mm- or mm/inch-graduations. Blade width 13 mm. Case dimensions: 65 x 65 x 21 mm



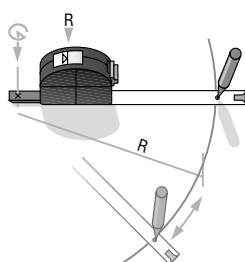
406 TOP-M: with steel base



Length	2 m	2 m/79"	3 m	3 m/122"	2 m	2 m/79"	3 m	3 m/122"
Graduation	mm	mm/inch	mm	mm/inch	mm	mm/inch	mm/inch	mm/inch
Width	13 mm	13 mm	13 mm	13 mm	13 mm	13 mm	13 mm	13 mm
Model no.	407 241	407 251	407 341	407 351	406 241	406 251	406 341	406 351

408 X4

The most versatile tape with 4 functions:
 1. Longitudinal measuring
 2. Internal measuring (see page 30)
 3. Radii drawing
 4. Level
 The graduation in the window is not displayed upside down (no reading errors possible). Blade lock. Polyamide case. Free-running blade in push-pull execution. Lengths 3 m with mm- or mm/inch-graduations. Blade width 13 mm. Case dimensions: 60 x 80 x 20 mm



Length	3 m	3 m/122"
Graduation	mm	mm/inch
Width	13 mm	13 mm
Model no.	408 341	408 351

The steel stylus integrated in the swing-out arm allows 6 m radii to be drawn.

Pocket Tapes

490 MET

The pocket tape with heat-resistant zinc die-cast case with chrome finish.

Automatic, lock-operated blade return.

Lengths 2 + 3 m with

mm- or mm/inch-graduations.

Blade width 13 mm.

Case dimensions:

60 x 58 x 19 mm



Length	2 m	2 m/79"	3 m	3 m/120"
Graduation	mm	mm/inch	mm	mm/inch
Width	13 mm	13 mm	13 mm	13 mm
Model no.	490 241	490 251	490 341	490 351

PICO – Rule and level in one tool

Perfect measuring tool, as horizontal/vertical measurements are mainly combined with lengths measurements.

Advantages:

- The tape can be fixed elongated in the case for the measurements
- The tape can be kept compact and safe in the level case
- Stainless steel tape
- Perfect reading by convex arch
- Total waterproof!
- Accuracy of the tape: EEC class II
- Accuracy of the level: 1,0 mm/m
- Made in Germany

Length	1 m	1 m with magnet
Graduation	mm	mm
Width	16 mm	16 mm
Item No.	426 100 4 1030	426 100 4 1030 M

Case dimension
62 x 25 x 52 mm
Weight app. 75 g

Both tape and ruler in one!

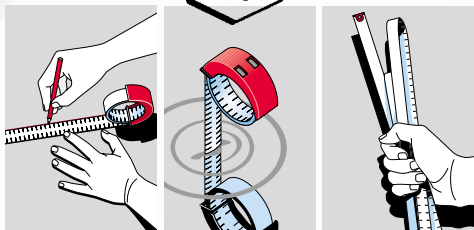
The new **BMI**meter with tape stop and belt clip



... rolls out on its own!

tape stop for easiest use and complete control

NEW The belt clip



can be perfectly used as a ruler waterproof, stainless unbreakable

Fascination:

Due to a special treatment of the refined steel the tape unrolls on its own!

Benefits:

- stainless refined steel tape, white-enamelled
- totally waterproof
- unbreakable, durable
- accurate according to EC class II (+/- 0,9mm/2m - a wooden ruler is 2,2mm/2m)
- compact, light and handy
- perfect for use as a ruler
- tape lies flatly on a table, allowing precise markings and easy transfer of measurements
- world first!
- **Made in Germany!**

The BMI-Quicky, sold by hundreds of thousands, has been further developed and is now called **BMI**meter.

The main changes:

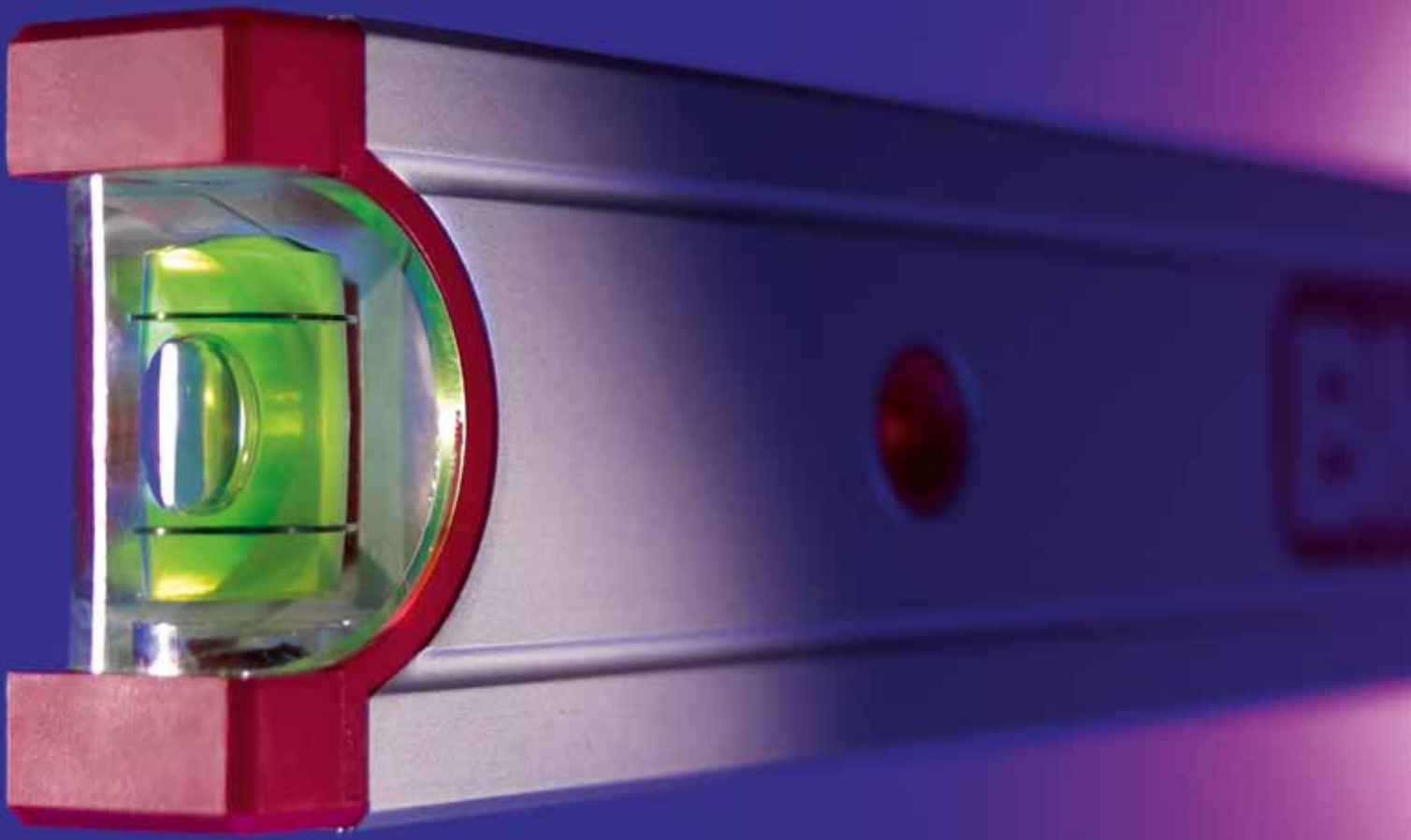
- **BMI**meter has a tape stop!
- **BMI**meter is available in 2 m and 3 m!

This measuring tool fascinates and his benefits are unbeatable.

Length	2 m	2 m/79"	3 m	3 m/118"
Graduation	mm	mm/inch	mm	mm/inch
Width	16 mm	16 mm	16 mm	16 mm

Display BMImeter 2 meter
Item-No. 429 2410 601-VK
Contents: 30 pcs.

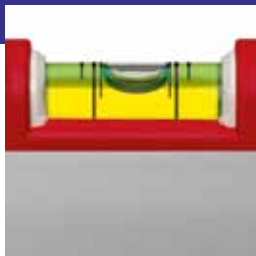




These BMI advantages are your benefit it:



**Vial with magnifying effect.
No more double-bubble trouble!**



2% slope/fall lines and precision reading markings



Top-end vial



Shock-absorbing rubber end-caps



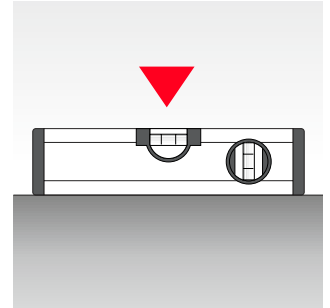
Unique, sturdy 4-chamber profile



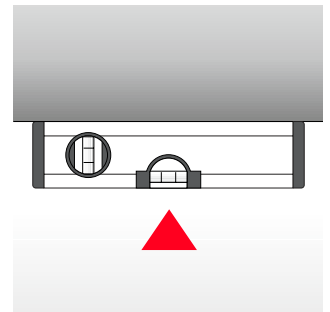
Spirit Levels

Applications for spirit levels

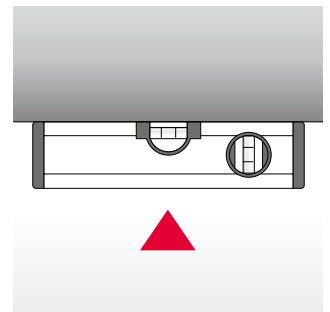
Horizontal **normal position**



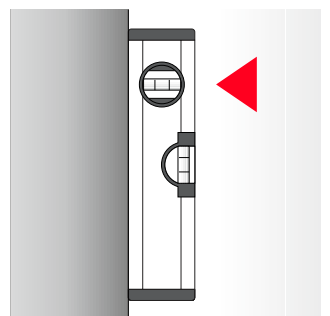
Horizontal **inverted position**
(over-head measuring)



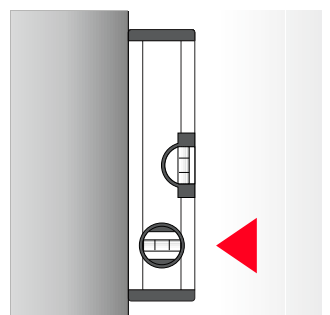
Horizontal **over-head measuring**
(only for BMI-EUROSTAR and BMI-ROBUST)



Vertical **normal position**



Vertical **inverted position**



ADVANTAGES

- Selected high quality materials.
- Worldwide patented manufacturing processes.
- High measuring accuracy up to 0,5 mm/m in normal and inverted position.
- Up to 30 years BMI guarantee for the durability of the vials.


This means safety for your work.

Aluminium Profiles

Types of Vials

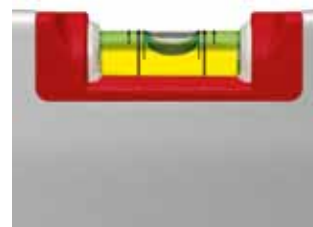
Mounting of the Vial

Thickness of wall +/- 10% due to technical reasons


 Box section 22 x 50 mm, wall strength 1,5 mm, is used for the **690 type series** up to a length of 200 cm.



Thick-walled, sturdy vial, made of plexiglass, used in the horizontal vials of the 662, 665, 666 and 689 type series.



Break- and shock-proof tube vial with magnifying effect of the 690 type series, extremely good viewing, 2% slope markings.

 Box section 22 x 50 mm, wall strength 1,6 mm, is used for the **691 type series** up to a length of 120 cm. The lengths 150, 180 and 200 cm have a wall strength of 2,2 mm.




Thick-walled, sturdy vial, made of plexiglass, with magnifying effect, extremely good viewing, used as vertical and horizontal vial in the 692 type series and as horizontal vial in the 691, 695, 698 and 699 series.



Thick-walled, sturdy block vial, made of plexiglass, used as vertical vial in the 662, 665, 666, 691, 698 and 699 series.



For all spirit levels (except the 690 type) made of aluminium profile up to a length of 120 cm the vials are electronically adjusted and fixed in the body by means of ultrasonic welding.


 Box section 22 x 50 mm, wall strength 1,8 mm, is used for the **692 and 699 type series** up to a length of 120 cm. The lengths 150, 180, 200 and 240 cm have a wall strength of 2,3 mm

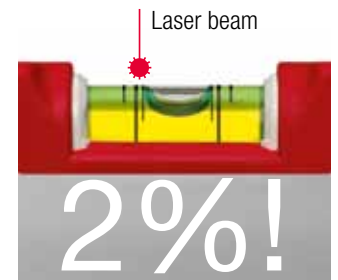
 Strong 4-chamber aluminium profile box section 60 x 26 mm, wall strength 2 mm, extremely flexible and torsion-proof, used in the **698 type series**.

Angle of Inclination

The picture shows a rotating vial of the 691 W and 691 WM and the SUPERTORPEDO type for an easy transfer of inclinations and angles.



 Extremely sturdy 4-chamber aluminium profile, box section 75 x 26 mm, wall strength 2.0 mm, used in the **695 type series** (even more torsion resistant than the 698).



The 690 EUROSTAR is at first completely mounted. At this stage, the vials don't have any marking rings. In the final stage, a computer measures the position of the vial and controls a laser which applies marking rings to the vial on either side of the bubble in precisely equal distances.

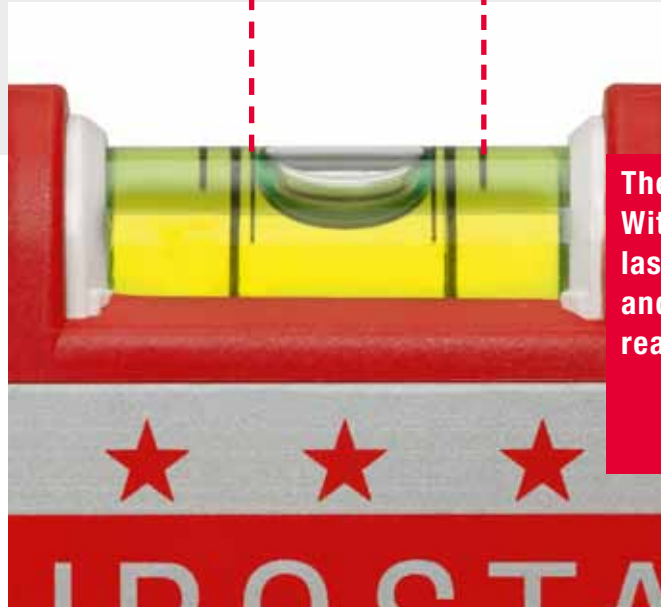
This process has been patented for BMI nationally and internationally.

	Eurostar 690	Alustar 691	Ultrasonic 692	Super Star 699	Robust 698	HighPrecision 695	Die-Cast level 665	Teakwood level 661	PolyWood 660
measuring accuracy in normal position mm/m	0,5	0,5	0,5	0,5	0,5	0,3	1,0	1,0	0,5
measuring accuracy in inverted position mm/m	–	0,75	0,5	0,5	0,5	–	–	–	0,75
milled measuring surface	–	–	–	✓	2 milled measuring surface ✓	✓	✓	–	–
horizontal vial with magnifying effect / no “No double”	✓	✓	✓	✓	✓	✓	–	–	✓
number of vials	2	2	2	2	3	2	2	2	2
profile weight per meter	550 g/m	up to 120 cm 550 g/m from 120 cm 840 g/m	640 g/m	up to 120 cm 680 g/m from 120 cm 840 g/m	1060 g/m	1340 g/m	–	–	750 g/m
handhole	–	–	–	–	✓	✓	✓	–	–
also available as magnetic version	✓	✓	✓ length 20 cm only	✓	–	✓	–	–	–
non-conductive	–	–	–	–	–	–	–	–	✓
special features and benefits	2% slope/fall and precision reading		with top-end vial		sturdy 4-chamber profile	sturdy 4-chamber profile, vials with high sensivity			non-sparking tool, fully insulated up to 1000 volts according to En60900:2004
recommendations for use	builders, heating installers, plumbers, landscapers	general handicraft, dry wall construction	general handicraft, dry wall construction	general handicraft, dry wall construction	builders, prefab construction, carpentry	window and door fitting, carpentry, steel construction	builders	plumbers, road construction	Electricians, miners
Made in Germany	✓	✓	✓	✓	✓	✓	✓	✓	✓

EUROSTAR

BMI

precision reading | 2% slope/fall line



The original!
With patented
laser-marked vials
and reflection-free
readability!



No more
double-bubble trouble!

690 E



690 EM

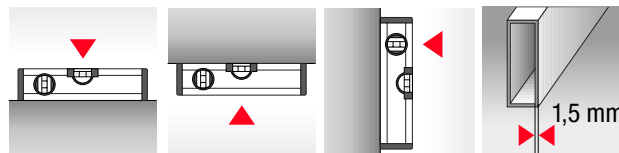


690 ES



- 2% slope markings on horizontal vial.
- additional precision reading markings on all vials.
- Laser-marked vials provide measuring accuracy of 0,5 mm/m for a lifetime..
- Tube vial offers easy readability.
- Strong walls for longer life..

Also available as
690 P (powder-coated),
price equal to 690 E



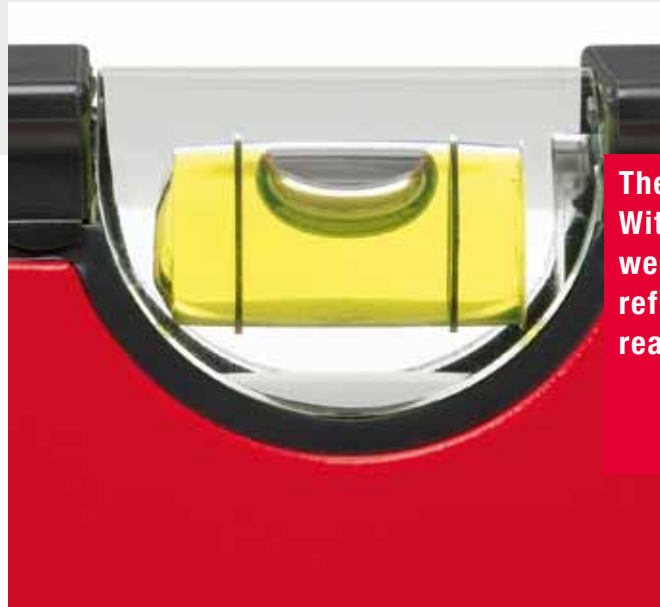
Length in cm	30	40	50	60	80	90	100	120	150	180	200
Order no.	690 030 E	690 040 E	690 050 E	690 060 E	690 080 E	690 090 E	690 100 E	690 120 E	690 150 E	690 180 E	690 200 E
Order no.		690 040 ES		690 060 ES	690 080 ES		690 100 ES	690 120 ES			
Order no.		690040 EM	690050 EM	690060 EM	690080 EM	690 090 EM	690 100 EM	690 120 EM			

ROBUST

NEW

also available
in magnetic

BMI



The original!
With ultrasonic-
welded vials and
reflection-free
readability!

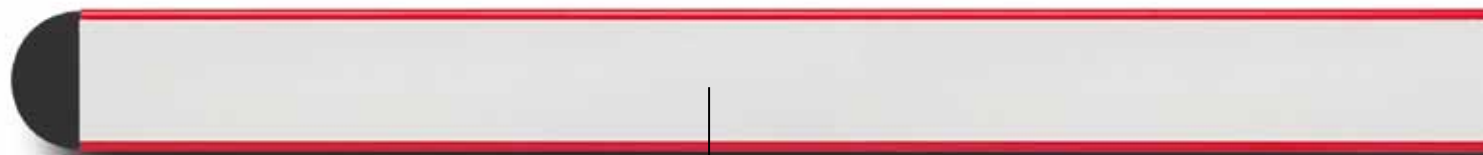


No more
double-bubble trouble!

Thick shock-absorbing rubber end-caps

also available in magnetic

698



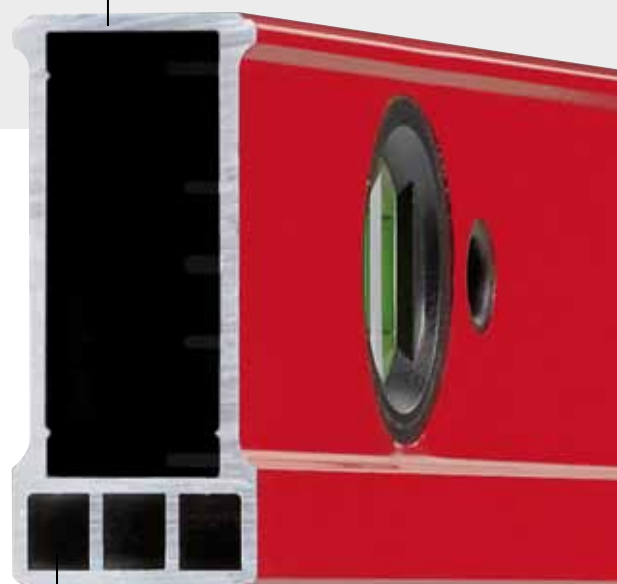
Milled measuring surfaces up to 200 cm

698 D



Also available with practical handholds

Weight of profile 1060 g/meter



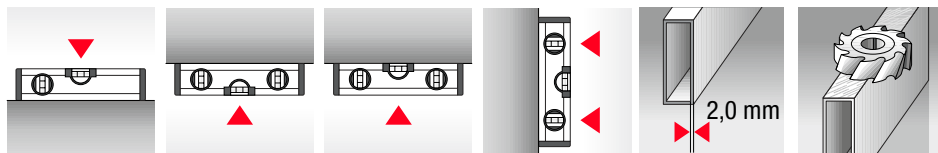
- Unique, extremely torsion-resistant 4-chamber profile (60 x 26 mm cross-cut).
- The original BMI domed round vial with magnifying effect provides unsurpassed readability, also for inverted measurement.
- Highest accuracy for life (0,5 mm/m) due to ultrasonic-welded vials.
- Especially thick shock-absorbing rubber end-caps preserve high measuring accuracy – for life.
- Two milled measuring surfaces (up to 120 cm)
- Highest accuracy also for inverted measurement (0,5 mm/m).

4-chamber profile – one of the most stable profile in the market

Unsurpassed readability through round vials



available in lengths of up to 240 cm

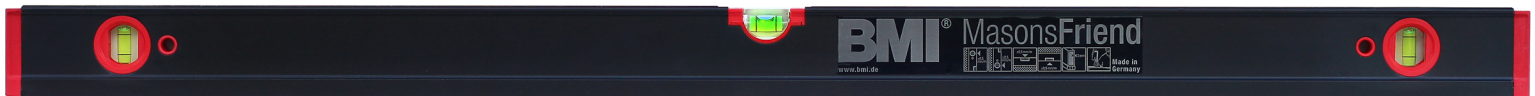


Length in cm	40	50	60	80	90	100	120	150	180	200	240
Order no.	698 040	698 050	698 060	698 080	698 090	698 100	698 120	698 150	698 180	698 200	698 240 H
Order no.			698 060 D	698 080 D	698 090 D	698 100 D	698 120 D	698 150 D	698 180 D	698 200 D	698 240 DH
Order no.	698 040 M		698 060 M	698 080 M		698 100 M	698 120 M		698 180 M	698 200 M	

spirit level

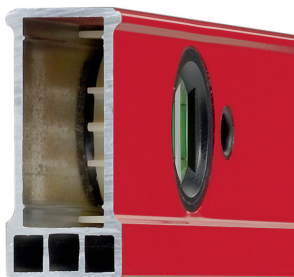
MASONS FRIEND

BMI



Highlighted items are stock

Length in Feet	3.3'	4'
Order no.	L1698100E	L1698120E



- Black anodized
- Unique, extremely torsion-resistant 4-chamber profile (60 x 26 mm cross-cut).
- The original BMI domed round vial with magnifying effect provides unsurpassed readability, also for inverted measurement.
- Highest accuracy for life (0,5 mm/m) due to ultrasonic-welded vials.
- Especially thick shock-absorbing rubber end-caps preserve high measuring accuracy – for life.
- Two milled measuring surfaces
- Two stainless steel strips, marked with graduation
- Highest accuracy also for inverted measurement

Special Spirit Levels

POLYWOOD –
the first spirit
level with attributes
“non-sparking tool”
and “fully insulated
up to 1000 volts
according to
EN60900:2004”

660 POLYWOOD



- Round horizontal vial with magnifying effect.
- reflection-free readability of horizontal vial, also in inverted position!
- measuring accuracy 0,5 mm/m in normal position, 0,75 mm/m when inverted.
- Strong walls and shock-absorbing rubber end-cap preserve high measuring accuracy.

Length in cm	40	60	80
Order no.	660 040	660 060	660 080

ULTRASONIC



- length 25 cm
- vertical headvial
- turnable anglevial
- 2% slope marking in the horizontal vial
- magnetic
- accuracy 0,5 mm/m

Order no. 692 025 TWM



- length 20 cm
- vertical headvial
- horizontal vial with magnifying effect
- magnetic
- accuracy 0,5mm/m also for inverted measurement

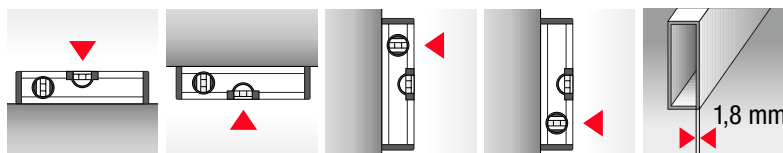
Length 20 cm

Order no. 692 020 M

With practical beltbag

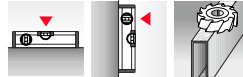
Order no. 692 020 M-TA

Optimal
reading
by vertical
head vial!



Alu die-cast levels

666



Heavy-weight, trapezoid-shaped aluminium die-cast level with milled measuring surface. Red powder-coated level body. Very high torsion-resistance. Measuring accuracy in normal position 1,0 mm/m.

Length in cm	40	60	80
Order no.	666 040	666 060	666 080

665S / 665



Heavy-weight aluminium die-cast level with two milled measuring surfaces. Red powder-coated frame. Very high torsion-resistance. Grip holes for easy handling. Also available with 2 vials as model 665. Measuring accuracy in normal position 1,0 mm/m.

Length in cm	60	80
Order no.	665 060	665 080
Order no.	665 060 S	665 080 S

689R



Aluminium die-cast level, milled on all sides, red powder coated. Extremely torsion resistant. Handholds for easier handling. Accuracy in normal position 0,75 mm/m.

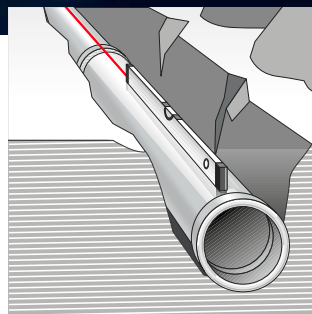
Length in cm	40	50	60	80
Order no.	689 040R	689 050R	689 060R	689 080R



This is how BMI LASER technology facilitates your work:

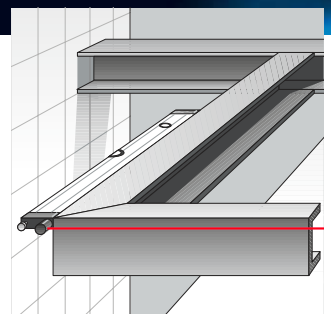
BMI laser systems are suitable for a wide range of measuring, alignment and levelling tasks.

Some basic applications are exemplified here:



The laser beam replaces the levelling line for

- Projecting slopes and gradients
- Setting alignments
- Checking the smoothness of walls and other surfaces



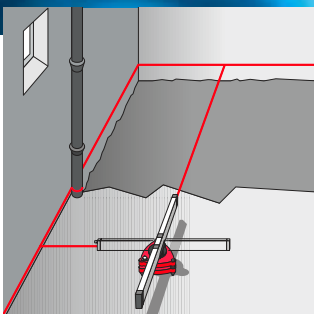
Determine right angles without other tools and auxiliary constructions when

- Installing partitions
- Installing floors and platforms
- Checking angles of fabrications and steelwork

In 1993, BMI was the first to present laser levelling systems for trade and industry. The program has been continuously advanced and today, the user is offered ingenious, practical devices. From laser levels with useful accessories and levelling sets up to fully automatic rotating laser systems, BMI provides the perfect product for your application. The advantage – then and now – has always been the tremendous time efficiency of these single-hand operated levelling systems.

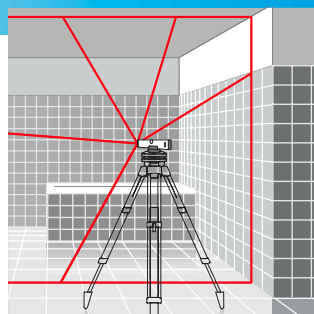
ADVANTAGES

- BMI LASER technology complies with international safety standards; all devices conform to laser class 2; power output < 1 mW.
- BMI LASER technology is robust, suited to the workshop and has been developed for practical application.
- BMI LASER technology offers service at first hand.



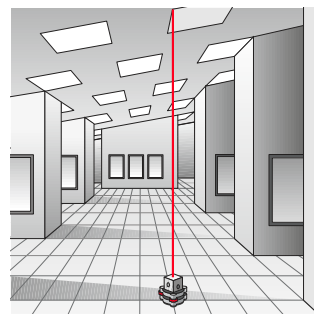
Save time-consuming measurements in the horizontal plane when

- Installing ceilings
- Marking the correct height of electrical outlets and switches
- Marking the upper line of tiled areas



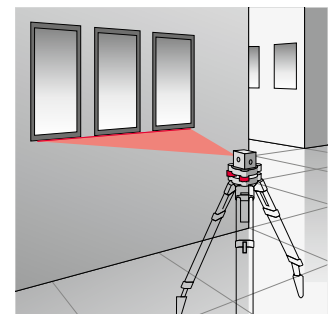
Save time-consuming measurements in the vertical plane when

- Installing partitions
- Installing display windows
- Establishing tiling columns



Replace the traditional plumb line to determine vertical references from the floor to the ceiling when

- Installing ceiling lighting
- Mounting conductor rails
- Installing fittings for ceiling panels



The line laser replaces the snap line when

- Mounting advertising billboards
- Ensuring the correct horizontal alignment of tiles
- Hanging up posters and pictures

Pulsed, self-levelling crossline laser autoCROSS 3

- Self-levelling crossline-laser.
- Horizontal and vertical lines can be switched on separately.
- Can also be used with receiver by pulsed laserdiodes.
- Delivery with transport case, including batteries.

Basic instrument:
Order no.: 654 KLPP

Basic instrument with receiver:
Order no.: 654 KLPP-Set

Receiver:
Order no.: 654 KLPP-Z01

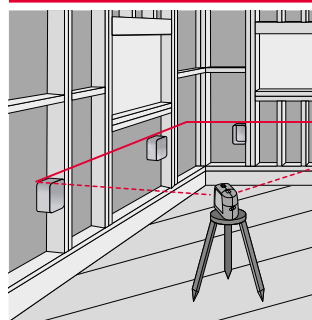
Very good visible laserlines by super-lighting power

An aperture angel of 140° vertical and 120° horizontal gives you extraordinary line lengths.

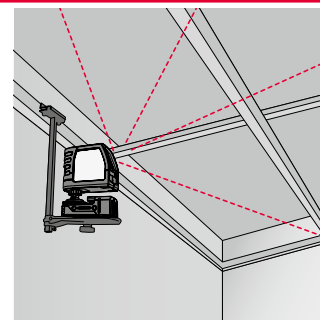


Receiver (optional accessory)
Order no.: 654 KLPP-Z01
Power supply:
9 V block battery
Size: 165 x 50 x 27 mm

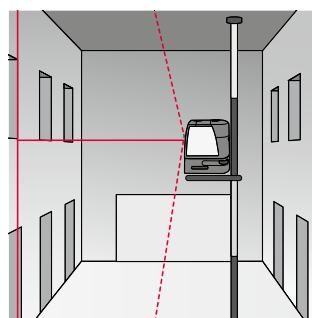
and it can help you do all the following ...



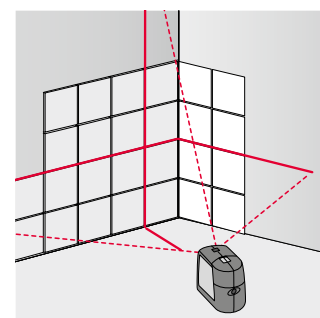
Markings for floors, electrical ...



... and drop ceilings



Vertical line (carpentry)



Cross line to align tiles etc.

- **Self-levelling mechanism** – eliminates set-up time and guarantees accuracy by using a magnetically subdued pendulum.
- **Automatic out of level sensing** – by blinking laser beam.
- **Locked line angle** – take unit out of self-levelling mode and lock line in place allowing to set unit in any angle.
- **Multipurpose attachment accessory** – with strong magnets, tripod connections allow to use the instrument also on tripods.

Technical Data autoCROSS 3

Type of laser	red diode laser, wave length 635 nm
Output	laser class 2
Levelling	fully automatic (pendulum)
Self-levelling range	± 4°
Accuracy	± 3 mm/10 m
Range with receiver	minimum 30 m
Power supply	3 x 1.5 V batteries Type AALR6
Aperture angle	140° vertical, 120° horizontal
Out of level indicator	blinking laser lines
Tripod connection size	1/4"
Operating temperature	-10° C to 50° C
Storage temperature	-20° C to 70° C
Dimensions	120 x 95 x 62 mm

Technical Data Adapter

Tripod connection size	1/4" and 5/8"
Fastening	magnets, tripod
Dimensions	115 x 65 x 40 mm

Delivery in transport case, incl. batteries



Crossline and 5-beam laser, all in one!

autoMAGIC

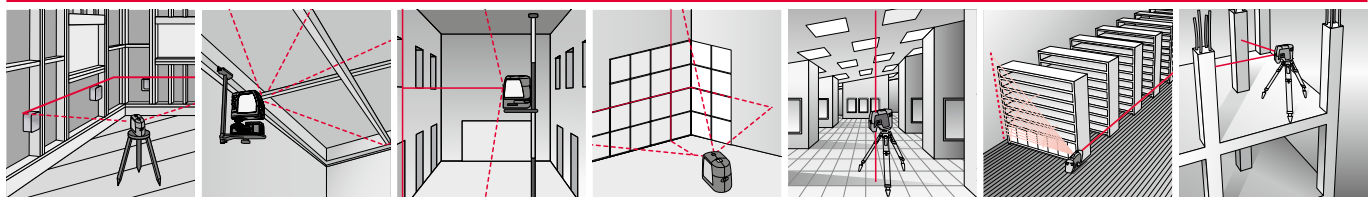
- Self-levelling 5 beam and cross line laser
- Plumb beam, up and down
- 5 laser beams at a time
- Laser glasses
- Multifunctional adapter with magnets and tripod connection threads 1/4" and 5/8"
- Comes as set in hard plastic case
- Incl. batteries

Basic device:
Order no.: 654 KLP 5SP
 Complete set (incl. receiver):
Order no.: 654 KLP 5SP – Set
 Receiver:
Order no.: 654 KLP 5SP – Z01

BMI



and it can help you do all the following ...



Markings for floors, electrical... ...and drop ceilings Plumb line (carpentry) Cross line to align tiles etc. Plumb line up and down 90° angle Dot relays

- **Self-levelling mechanism** – eliminates set up time and guarantees accuracy by using a magnetically subdued pendulum.
- **Automatic out-of-level sensing** – by blinking laser beam.
- **Locked line angle** – out of self-levelling mode and lock line in place allowing you to set unit at any angle.

Technical Data autoMAGIC

Type of laser	red diode laser, wavelength 635 nm
Output	laser class 2
Levelling	fully automatic (motor function)
Accuracy	± 3 mm/10 m
Range	bis zu 50 m (mit Empfänger)
Power supply	3 x 1,5 V batteries size Typ AA LR6
Tripod connection size	1/4"
Dimensions	115 x 115 x 75 mm
Casing	dustproof, dirt-proof and waterproof

Technical Data Adapter

Tripod connection size	1/4", 5/8"
Fastening	magnets, straps, tripod
Dimensions	105 x 53 x 60 mm
Set Weight	0,9 kg

Which construction laser for which application?

Make your choice!

	Features	uniLASER	topoMAT	Nautilus
	Protection against water	✓ Dust and waterproof according to IP 64	✓ Rainproof according to IP 55	✓ Waterproof according to IP 67
	Indoor-application	✓ Range with receiver Ø 300 m	✓ Range with receiver Ø 300 m	✓ Range with receiver Ø 300 m
	Outdoor-application	✓ Range with receiver Ø 300 m	✓ Range with receiver Ø 300 m	✓ Range with receiver Ø 300 m
	Power supply	Line powered and accumulator (Ni-MH)	3 batteries 1,5V mono LR20	Line powered and accumulator (Ni-MH)
	Electronic Safety Program	✓ Shock monitored by ESP	✓ Shock-monitored by ESP	✓ Shock-monitored by ESP
	Accuracy	± 3 mm / 30 m	± 2,6 mm / 30 m	± 2,6 mm / 30 m
	All-taken-care-of-package		3-year-warranty First inspection included Help in case of defects	3-year-warranty First inspection included Help in case of defects
	Vertical levelling	✓	✓	
	Continuous inclination	Adjustable in 2 axis +/- 5 degree	✓	
	Right angle 90°	✓	✓	
	Plumb line	✓ Up and down	✓	
	Horizontal levelling	✓	✓	✓
	Remote control	✓	✓	
	Visible line	✓	✓	

Construction Laser self-levelling (rainproof/horizontal/vertical/remote control)

topoMAT IPX5

- Needs no more than one person to take care of levelling jobs!
- Efficient, automatic and safe in all situations.
- A universal levelling system for various jobs.



Precision and safety:

- As a result of the automatic self-levelling function with an accuracy of $\pm 2,6 \text{ mm}/30 \text{ m}$
- Automatic laserstop function in case of impact or other changes of position.



Electronic Safety Program



Photodiode hand receiver to ensure optimum functioning of the laser within a working range up to a distance of 250 m

- Acoustic and optical receiving signal
- LCD display at the front side for easy and practical handling

Laser operating modes:

- Rotation – with 600, 300 and 100 rotations per minute – to choose the optimum task-suited rotation speed!
- Line-mode – with settings of 15, 30, or 45 degrees – to create visible laser lines or different lengths especially inside buildings!
- Dot-line mode – to the right or left – optional for the slow or fast retracing of laser dots or laser lines – function can be enabled directly at the laser or via remote control!
- Permanent angle through the firmly connected beam splitting prism.



Rainproof IP55 compliant



Waterproof IP67 compliant

Automatic self-levelling:

Requires only rough setting with the help of the built-in bulls-eye vial

Far-reaching infra-red remote control for every laser operating moden



The electronic inclination measure allows fast measuring of inclinations between 0 and 90 degrees. The angle measure is detachable and can be used solo.

The topoMAT is also available without the inclinometer.

Set-Order no.: 648 02N SET **incl.** inclinometer
Set-Order no. topoMAT IPX5: 648 02B SET **without** inclinometer
Order no. inclinometer: 648 10 Z

No time-consuming modification:

Fast **variable** changing from horizontal to vertical operation with lockable 90° tilting joint

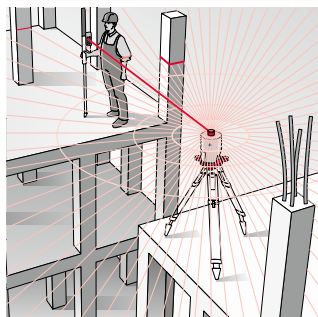


Complete laser set comes in robust storage and transport case:

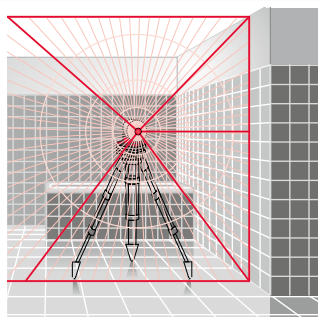
- Rotating laser topoMAT IPX5
- Electronic inclinometer
- Remote control
- Hand receiver
- Wall bracket
- Clamp for telescopic levelling staff
- Diagrammed operating manual
- Batteries are included in the scope of delivery



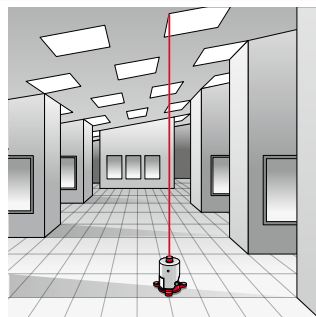
Operating range



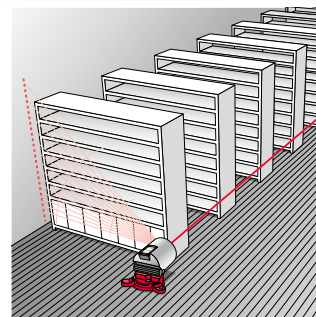
Horizontal plane



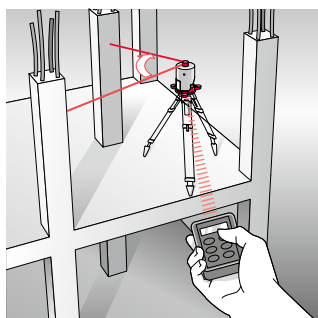
Vertical plane



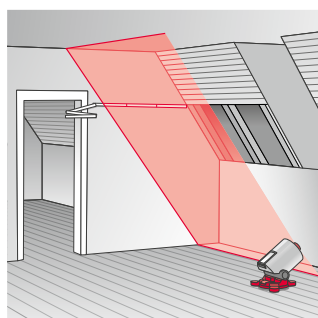
Plumb line



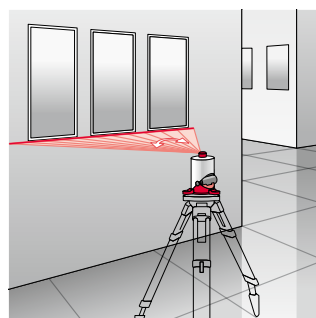
90° angle



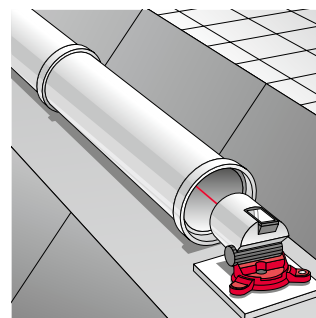
Spot projection



Inclinations



Line projection



Working along the beam

Technical Data topoMAT ipx5

Type of laser	Red diode laser, wavelength 635 nm
Output	< 1mW, Laser class 2
Self-levelling range	approx. $\pm 4^\circ$ corresponds to approx. $\pm 6\%$
Levelling accuracy	$\pm 2,6$ mm/30 m
Levelling time	typically < 30 sec.
Laser range	500 m diameter with detector
Speed	600/300/100 rotations per min
Lines	Scanning function with 15°, 30° and 45° spreading
Remote control. dot/line	slow and fast left/right
Power supply	3 x 1,5 Volt Mono LR 20
Operating period	approx. 70 hours
Operating period	IP55, rainproof
Tripod connection size	5/8 inch (surveyor's tripod)
Weight	2,3 kg
Dimensions	approx. 200 x 200 x 250 mm

Technical Data Remote Control

Range	up to 50 m depending on position in direction of receiver lens
Power supply	9 V block 6 LR61
Operating period	depending on the degree of utilization

Technical Data Receiver

Range	approx. 250 m
Degree of protection	IP67, waterproof
Power supply	2 x 1,5 Volt Mignon AA LR6
Operating period	depending on the degree of utilization

NAUTILUS IPX7

- Does not know what "bad weather" means
- Use it under severe conditions on the construction site
- Set it up, switch it on and begin (single-button-control)
- Robust, accurate and safe by means of ESP (Electronic Safety Program)
- Line-powered or accumulator



Electronic Safety Program:
automatic laser stop
in case of shocks or changes
in position



With rechargeable battery
(Ni-MH; without memory effect)



Waterproof IP67 compliant



**The complete set with the
practical carrying bag:**

- NAUTILUS IPX7.
- Receiver with staff clamp
- Charging set
- Operating instruction
- Accumulator set (Ni-MH) and batteries for the receiver



Robust aluminium casing

Shock protection with a
circulating plastic shock absorber



**Waterproof
IP67 compliant**

**Photodiode hand receiver to
ensure optimum functioning of
the laser within a working
range up to a distance of 250 m**

- Acoustic and optical receiving signal
- LCD display at the front side for easy and practical handling

Technical Data Rotationslaser

Type of laser	red diode laser, wave length 635 nm
Output	< 1 mw; laser class 2
Self-levelling range	approx. ± 4° corresponds to ± 6%
Levelling accuracy	± 2,6 mm/30 m
Levelling time	< 30 sec.
Operating range	-10° C to 50° C
Range	500 m Ø with receiver
Speed	600 rotations/min.
Power supply	line-powered or accumulator (Ni-MH) 4 x 1,2 V Baby, size A, LR14
Service life	50 hrs

Protective system	waterproof IP 67 compliant
Tripod connection size	5/8 inch (tripod)
Dimensions	ca. 170 x 170 x 220 mm
Weight	2,5 kg

Technical Data Receiver

Range	250 m
Protective system	waterproof IP 67 compliant
Power supply	2 x 1.5 Volt Mignon AA LR6
Service life	according to usage

Crank-Operated Tripod

- Especially recommended for the rotating laser topoMAT and NAUTILUS
- Sturdy light metal design
- Ground spikes
- Circular bubble
- Connecting thread 5/8 inch
- min. length 112 cm, max. length 242 cm
- Crank lift 350mm
- Weight 5760 g

Order no.: 711 312

Laser can be set up on this tripod at a minimum height of less than 1m.



Surveyor's Tripod

- Sturdy light metal design
- Ground spikes
- Connecting thread 5/8 inch
- Min. length 105 cm, max. length 160 cm
- Weight 5860 g

Order no.: 711 317

Further tripod designs on request



Surveyor's Tripod (no illustration)

- Sturdy light metal design
- Ground spikes
- Connecting thread 5/8 inch
- min. length 58 cm, max. length 85 cm
- Weight 3920 g

Order no.: 711 315

Photo Tripod

- Robust photo tripod recommended for Torpedo 3, autoCROSS 3 and autoMAGIC
- Tripod connection size 1/4 "
- Robust, made from light metal with handhold and vial
- Opening height ,min 0,6 m up to 1,7 m
- Weight: 1,35 kg
- Max carriage weight: 3 kg

Order no.: 711 212-02





Rules

Rules and folding rules made of wood, plastic or metal still are the measuring instruments in trade and industry for longitudinal measuring. For different applications with regard to precision, or to certain impacts, like humidity and heat, BMI always offers the right measure for you.

ADVANTAGES

Wooden folding rules

- Strong quality beechwood
- High breaking resistance
- Strong joint spring give the BMI rule a long life and good handling features
- Joints with permanent greasing
- Durable varnish

Plastic folding rules

- Precisely embossed graduation layout
- Resistant to many environmental impacts

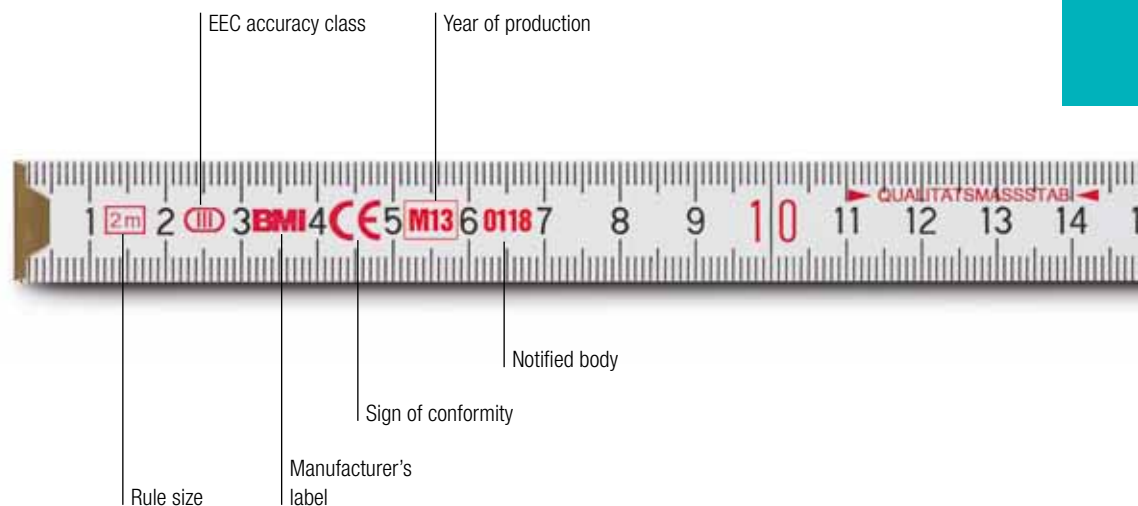
Aluminium folding rules

- Good stand
- High accuracy (EC II)
- Excellent readability
- Resistant to many environmental impacts and heat

Flexible and rigid rules

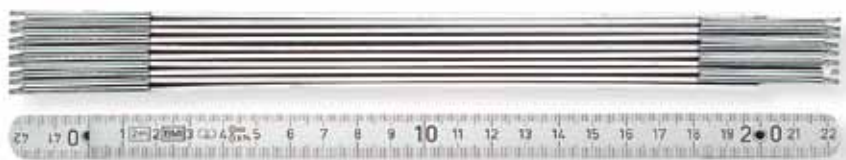
- Rustless
- High accuracy (EC II)
- Signed, anti-abrasive graduation

You can spot quality rules from these imprints:



961 silver color with black graduation

Cold-hammered special aluminium alloy, nature-coloured, 1,4 mm thick, section height 14 mm. Digits and graduations deep etched and laid out black. The rule has precision-latching, nickel-plated steel springs. Rounded edges. EC accuracy class II.



	2 m mm-graduation	2 m mm/Inch-graduation	1 m mm-graduation	1 m mm/Inch-graduation
Order no.	961 2000 44W	961 2000 45W	961 1000 44W	961 1000 45W

961 black with silver graduation

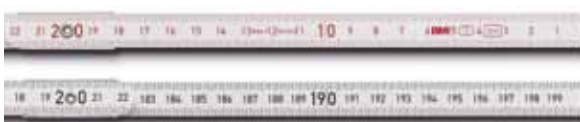
Cold-hammered special aluminium alloy, black anodized, 1,4 mm strong, section height 14 mm. Digits and graduations are deep etched and appear white on black ground. This extremely weather-resistant surface allows non-reflective reading. The rule has precision-latching nickel-plated steel springs. Rounded edges. EC accuracy class II.



	2 m mm-graduation	2 m mm/Inch-graduation	1 m mm-graduation	1 m mm/Inch-graduation
Order no.	961 2000 44S	961 2000 45S	961 1000 44S	961 1000 45S

961 Lefthander Aluminium rule, silver color

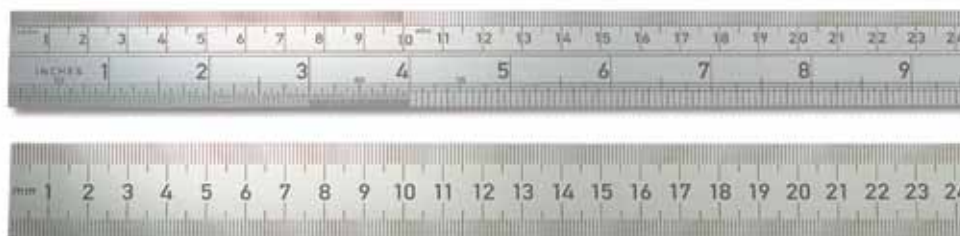
Silver color like item 961 silver color with black graduation (above) however one side is graduated from right to left (red graduation). Well suited for lefthanders.



	2 m mm-graduation	1 m mm-graduation
Order no.	961 2000 94W	961 1000 94W

966

Rigid steel measuring rules made of **stainless**, hard-rolled spring band steel. For graduations available see matrix. Ultra-modern manufacturing processes ensure sharp graduation contours. The graduation is largely anti-abrasive, and withstands chemicals, grease and oil. Its matt finish allows good reading. Rounded edges. EC accuracy class for metric graduation.

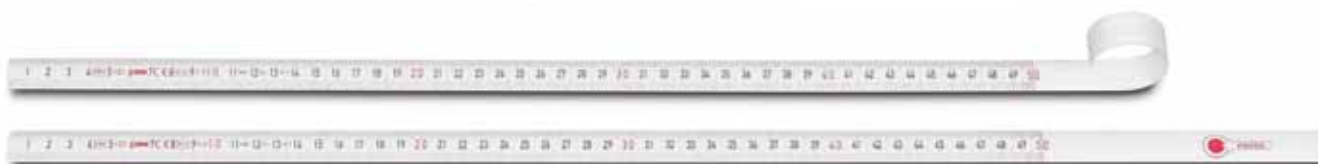


With additional graduation on the rear on request.

Order no.	Length in mm	Inch	Cross section in mm*	Graduation top edge	Graduation bottom edge
966 0300 60	300	12	30 x 1,0	1/2, 1/1 mm	1/16, 1/32, 1/64"
966 0500 60	500	20	30 x 1,0	1/2, 1/1 mm	1/16, 1/32, 1/64"
966 0600 60	600	24	30 x 1,0	1/2, 1/1 mm	1/16, 1/32, 1/64"
966 1000 60	1000	39	30 x 1,0	1/2, 1/1 mm	1/16, 1/32, 1/64"
966 0300 40	300	12	30 x 1,0	1/1 mm	1/1 mm
966 0500 40	500	20	30 x 1,0	1/1 mm	1/1 mm
966 0600 40	600	24	30 x 1,0	1/1 mm	1/1 mm
966 1000 40	1000	39	30 x 1,0	1/1 mm	1/1 mm
966 1000 30	1000	39	30 x 1,0	1/2 mm	1/1 mm
966 1500 30	1500	59	30 x 1,0	1/2 mm	1/1 mm
966 2000 30	2000	78	30 x 1,0	1/2 mm	1/1 mm
966 3000 30	3000*	00	30 x 1,0	1/2 mm	1/1 mm

* Tolerance of widths ± 0,5 mm

427 BMI roll-up rule



Stainless steel tape, white enamelled, unbreakable, long lifetime, tape rolls out on its own; very stable when it is rolled out; handy when it is rolled in; only 50mm diameter; convex tape allows precise measurement and marking.

Order-no.	Length in mm	Width
42705041.30	500	19
42710041.30	1000	19

Multiple Angle Square

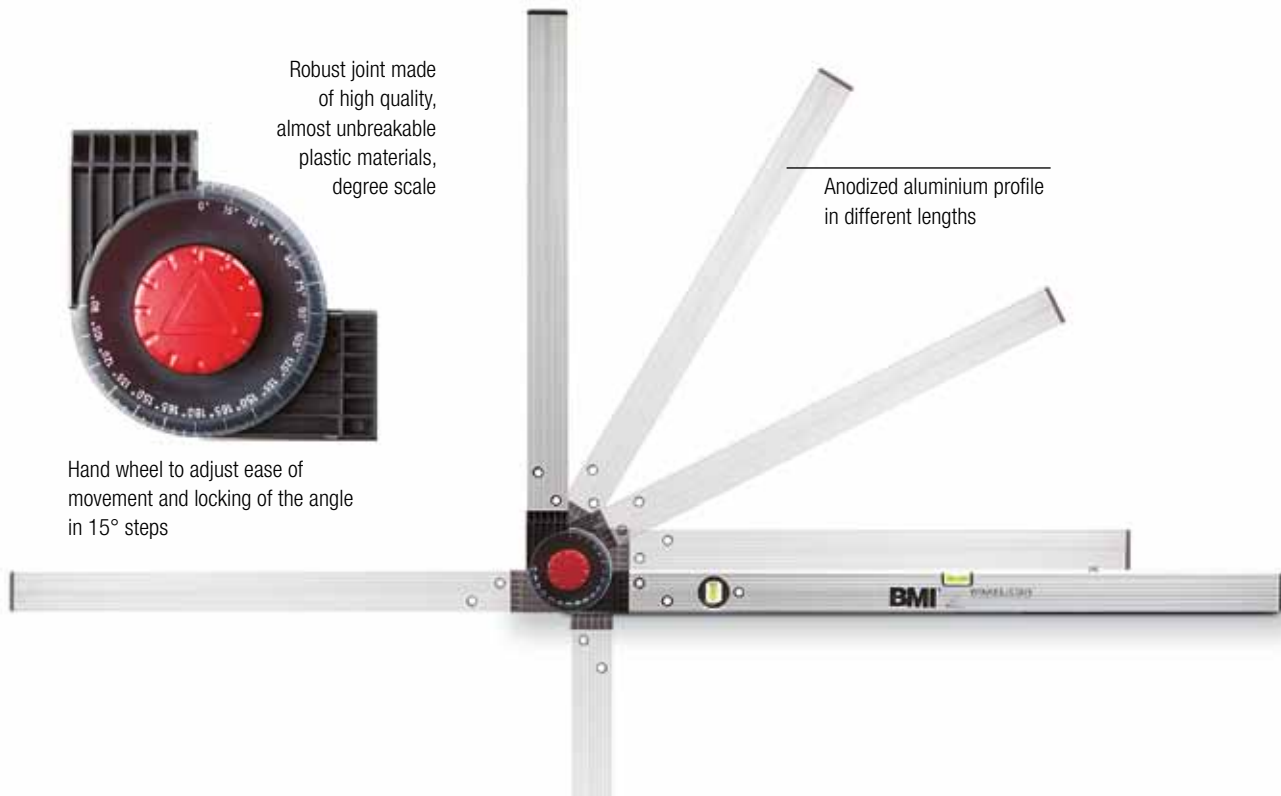
WINKELSTAR

Robust joint made of high quality, almost unbreakable plastic materials, degree scale

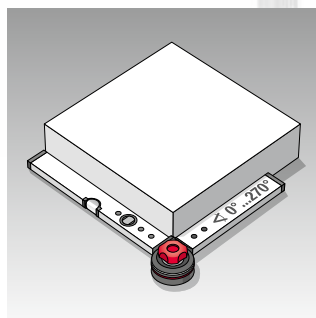


Hand wheel to adjust ease of movement and locking of the angle in 15° steps

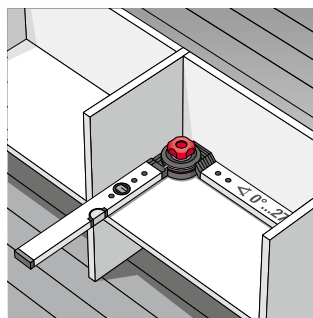
Anodized aluminium profile in different lengths



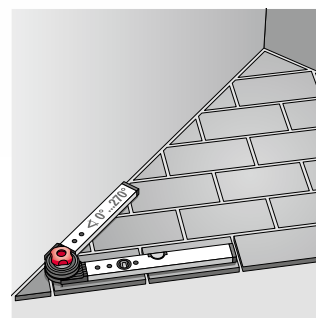
Robust foldable angle level for variable transfer or taking of angles of **0° to 270°**. The angles can be fixed in 15° steps. With the built-in vials it can also be used as a spirit level. Easy transport. Available in different sizes.



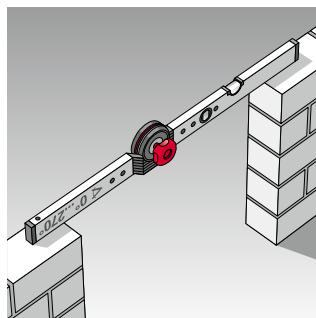
Outer 90° angle



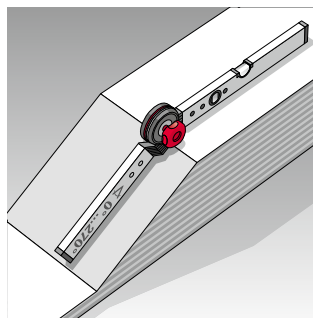
Inner 90° angle



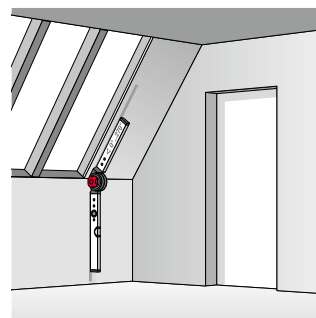
45° angle



Works as a level



Gradient/slope works



Works as a bevel

Order no.	Short leg	Long leg
715 060 080	60 cm	80 cm
715 060 120	60 cm	120 cm
715 100 150	100 cm	150 cm
715 100 200	100 cm	200 cm

BMI[®]

Measuring Instruments

Telephone: 905-428-9696 or 1-888-831-1313

Fax: 905-428-6787

Internet: www.ciecanada.com

eMail: cie@ciecanada.com

2014