

ATA PNEUMATIC POWER TOOLS

A COMPREHENSIVE RANGE OF HIGH QUALITY TOOLS FOR EVERY GRINDING APPLICATION







Contents

High Speed Straight Pencil Grinders	1
Engraver Pen	2
High Speed Straight Grinders	3- 5
Anti-Vibration Die Grinder	6
High Power Straight Grinders	7-8
Extended Body Straight Grinders	9-11
Extended Spindle Straight Grinders	12-14
Small Right Angle Disc Sanders & Grinders	15-16
Medium Right Angle Disc Sanders, Grinders, and Accessories	17-19
Large Right Angle Disc Sanders & Grinders	20
Right Angle Low Speed Grinders, Sanders & Polishers	21
Straight Low Speed Grinders, Sanders & Polishers	22
Belt Sanders	23
After Sales Services	24
Replacement Motors	25
Accessories	26-27

ATA is a leading European manufacturer of industrial air tools

and offers a wide range of tools for a variety of metal grinding and finishing applications. We are committed to providing our customers with high performance products that maximise productivity and reduce costs.

Our continued investment in new manufacturing technology and our constant drive to improve our production processes ensures ATA are a high quality, cost effective manufacturer in today's demanding market.

ATA's highly experienced technical sales team are on hand to offer the latest advice on metal removal processes and ensure the best possible match between tool and consumable for any specific application. Our customers benefit from ATA's vibration testing and tool maintenance programs to ensure maximum safety and productivity at all times.

Our extensive range of high performance, industrial quality tools and accessories, coupled with industry leading technical support, and our dedicated customer service team, enables ATA to offer a unique customer experience offering unrivalled value for money.



High Speed Straight Pencil Grinders



Application Sectors

- Aerospace
- Automotive
- Die and Mould

Recommended Consumables

- Tungsten Carbide Burrs
- Mounted Points
- Polishing Points

Key Points - ST100

- Turbine Motor
- Maintenance Free – no lubrication required
- 100,000 rpm gives very fine finish

Areas of Use

Fine milling, grinding and engraving

Key Points - SP75R / SP60R

- High speeds enable precise deburring
- Rear exhaust provides quiet operation
- Slim body can be held like a pen for detailed work

Areas of Use

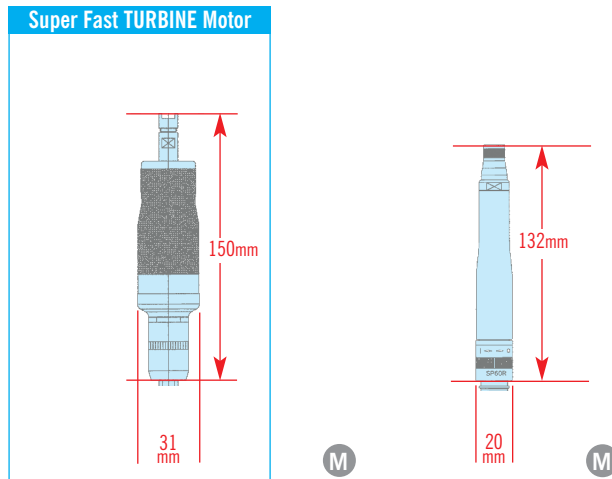
Suitable for precision deburring and fine grinding



ST100

SP75R

SP60R



Model Ref.	ST100	SP75R	SP60R
Speed (rpm)	100,000	75,000	60,000
Power	0.04kW / 0.06Hp	0.11kW / 0.15Hp	0.11kW / 0.15Hp
Weight (kgs)	0.24	0.15	0.15
Noise Level (dbA)	62	66	63
Standard Collet (mm)	3 (Type CC)	3 (Type CC)	3 (Type CC)
Air Usage (m ³ /min)	0.17	0.20	0.20
Exhaust	Front	Rear	Rear
Control	Roll throttle	Roll throttle	Roll throttle
Hose	Included-M8	Included-M8	Included-M8

M Replacement motors available.

Engraver Pen

Application Sectors

- Component Identification
- Anti-theft Marking
- Design

Recommended Consumables

- Tungsten Carbide Stylus

Key Points

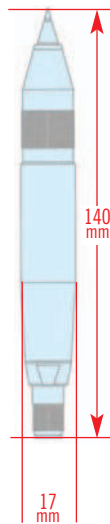
- Provides sharp and deep continuous lines
- Low vibration for operator safety and comfort
- Slim body can be held like a pen for good control
- Easy to maintain - only one drop of oil a day

Areas of Use

- Engraving of metal, glass, wood, plastic, plaster, rock and marble



Actual Size



Model Ref.	ENGRAVAPEN
Air Supply Pressure Bar	6-7
Frequency	540 strokes/sec
Weight (kgs)	0.15
Noise Level (dbA)	65
Air Usage (m ³ /min)	0.02
Hose Length (m)	2.5
Control	Roll throttle
Hose	Included

High Speed Straight Grinders



Application Sectors

- Aerospace
- Automotive
- Die and Mould

Recommended Consumables

- Tungsten Carbide Burrs
- Mounted Points
- Polishing Points

Key Points

- Wide range of tools with speeds to suit every application
- Lightweight designs for single handed operation
- Heavy duty versions available for tough applications

Areas of Use

Heavy grinding, deburring, general stock removal and polishing



S50

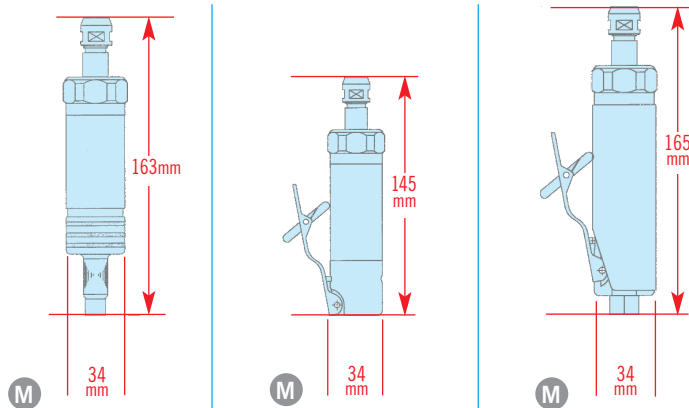
S50LR

SD45R

SD45LR

SD37L

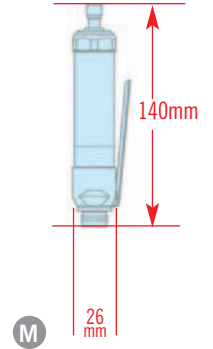
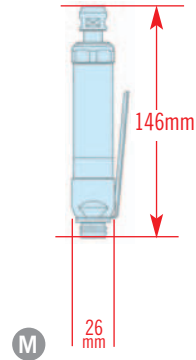
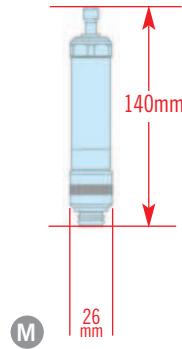
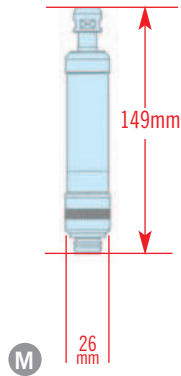
SDH37LR



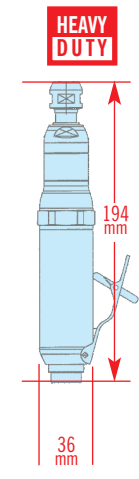
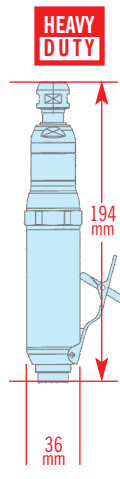
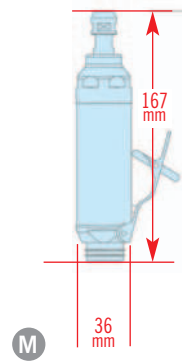
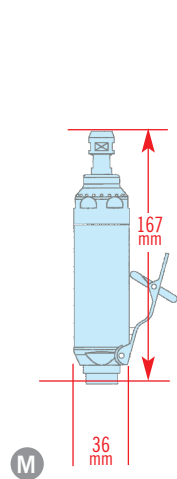
Model Ref.	S50	S50L	S50LR
Speed (rpm)	50,000	50,000	50,000
Power	0.19kW / 0.25Hp	0.19kW / 0.25Hp	0.19kW / 0.25Hp
Weight (kgs)	0.36	0.46	0.46
Noise Level (dbA)	70	70	68
Standard Collet (mm)	6 (Type CB)	6 (Type CB)	6 (Type CB)
Air Usage (m ³ /min)	0.45	0.45	0.45
Exhaust	Front	Front	Rear
Control	Push Pull	Lever throttle	Lever throttle
Hose	Option-1/4"	Option-1/4"	Included-1/8"

M Replacement motors available.

High Speed Straight Grinders

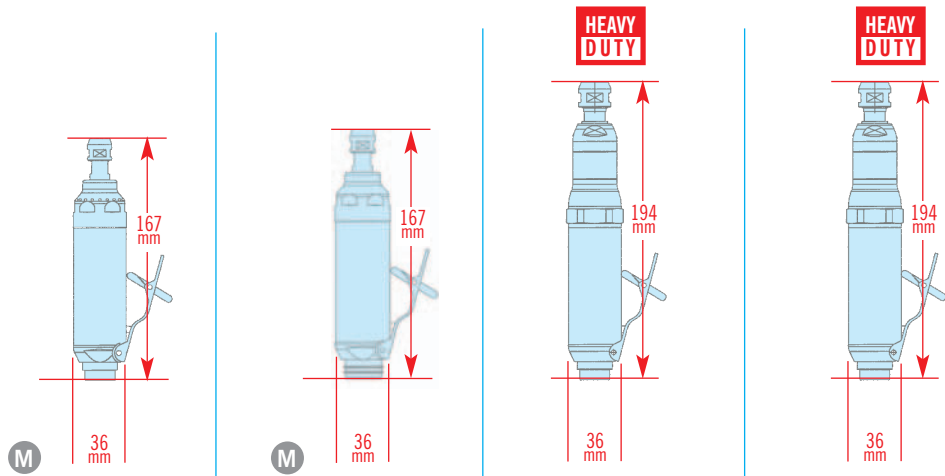


Model Ref.	SD45R	SD45R-CC	SD45LR	SD45LR-CC
Speed (rpm)	45,000	45,000	45,000	45,000
Power	0.15kW / 0.20Hp	0.15kW / 0.20Hp	0.15kW / 0.20Hp	0.15kW / 0.20Hp
Weight (kgs)	0.24	0.24	0.24	0.24
Noise Level (dba)	64	64	64	64
Standard Collet (mm)	3 (Type CB)	3 (Type CC)	3 (Type CB)	3 (Type CC)
Air Usage (m ³ /min)	0.23	0.23	0.23	0.23
Exhaust	Rear	Rear	Rear	Rear
Control	Roll throttle	Roll throttle	Lever throttle	Lever throttle
Hose	Included-M8	Included-M8	Included-M8	Included-M8

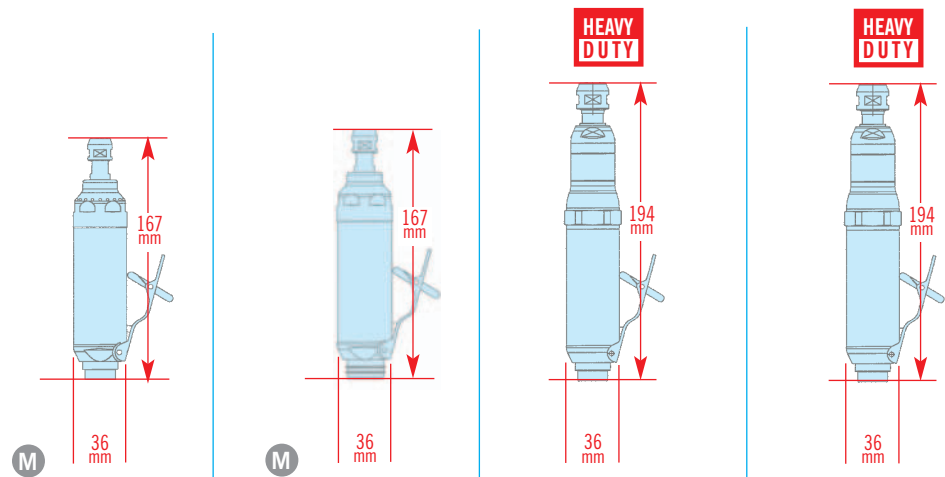


Model Ref.	SD37L	SD37LR	SDH37L	SDH37LR
Speed (rpm)	37,000	37,000	37,000	37,000
Power	0.30kW / 0.40Hp	0.30kW / 0.40Hp	0.30kW / 0.40Hp	0.30kW / 0.40Hp
Weight (kgs)	0.46	0.46	0.56	0.56
Noise Level (dba)	75	74	75	74
Standard Collet (mm)	6 (Type CB)	6 (Type CB)	6 (Type CA)	6 (Type CA)
Air Usage (m ³ /min)	0.57	0.57	0.57	0.57
Exhaust	Front	Rear	Front	Rear
Control	Lever throttle	Lever throttle	Lever throttle	Lever throttle
Hose	Option-1/4"	Included-1/4"	Option-1/4"	Included-1/4"

High Speed Straight Grinders



Model Ref.	SD30L	SD30LR	SDH30L	SDH30LR
Speed (rpm)	30,000	30,000	30,000	30,000
Power	0.30kW / 0.40Hp	0.30kW / 0.40Hp	0.30kW / 0.40Hp	0.30kW / 0.40Hp
Weight (kgs)	0.46	0.46	0.46	0.46
Noise Level (dbA)	73	73	74	73
Standard Collet (mm)	6 (Type CB)	6 (Type CB)	6 (Type CA)	6 (Type CA)
Air Usage (m ³ /min)	0.57	0.57	0.57	0.57
Exhaust	Front	Rear	Front	Rear
Control	Lever throttle	Lever throttle	Lever throttle	Lever throttle
Hose	Option-1/4"	Included-1/4"	Option-1/4"	Included-1/4"



Model Ref.	SD26L	SD26LR	SDH26L	SDH26LR
Speed (rpm)	25,000	25,000	25,000	25,000
Power	0.30kW / 0.40Hp	0.30kW / 0.40Hp	0.30kW / 0.40Hp	0.30kW / 0.40Hp
Weight (kgs)	0.46	0.46	0.56	0.56
Noise Level (dbA)	73	72	73	72
Standard Collet (mm)	6 (Type CB)	6 (Type CB)	6 (Type CA)	6 (Type CA)
Air Usage (m ³ /min)	0.57	0.57	0.57	0.57
Exhaust	Front	Rear	Front	Rear
Control	Lever throttle	Lever throttle	Lever throttle	Lever throttle
Hose	Option-1/4"	Included-1/4"	Option-1/4"	Included-1/4"

Anti-Vibration Die Grinder



Application Sectors

- Aerospace
- Automotive
- Die and Mould
- Fabrication
- Foundries
- Shipyards

Recommended Consumables

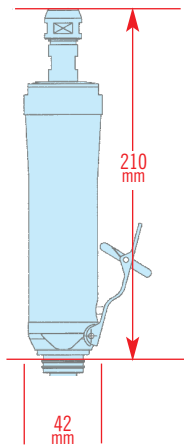
- Tungsten Carbide Burrs
- Mounted Points

Key Points

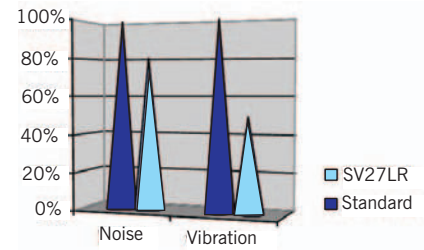
- Unique suspended motor design dramatically reduces tool vibration
- Reduced vibration improves operator comfort and extends consumable life
- Fast stock removal and superior surface finish

Areas of Use

Deburring and general stock removal



Model Ref.	SV27LR
Speed (rpm)	25,000
Power	0.75kW / 1.00Hp
Weight (kgs)	0.85
Noise Level (dbA)	72
Standard Collet (mm)	6 (Type CA)
Air Usage (m ³ /min)	0.92
Exhaust	Rear
Control	Lever throttle
Hose	Included-1/4"



Actual Size

High Power Straight Grinders



Application Sectors

- Aerospace
- Automotive
- Die and Mould
- Fabrication
- Foundries
- Shipyards

Recommended Consumables

- Tungsten Carbide Burrs
- Mounted Points
- Flap Wheels
- Abrasive Bands

Key Points

- A wide range of tools and speeds available to suit all applications
- Powerful motor produces good surface finish
- Front and rear exhaust options

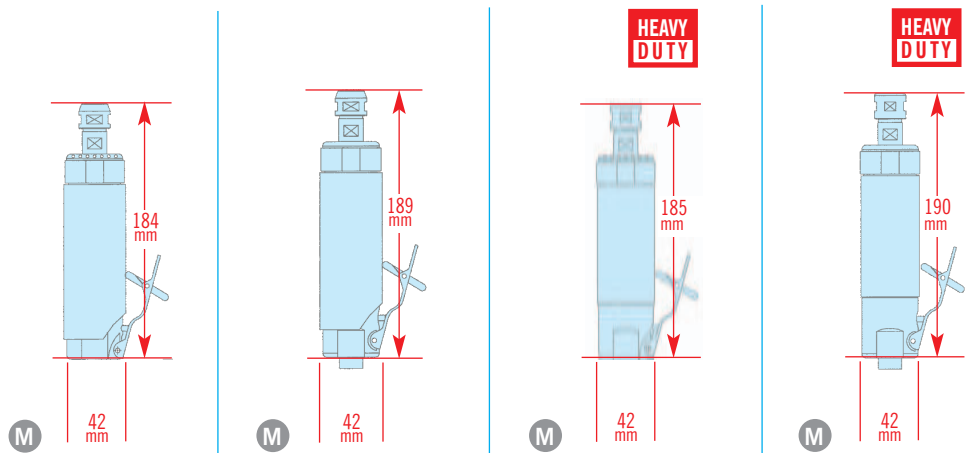
Areas of Use

General sanding, blending, deburring and polishing



S22LRHD

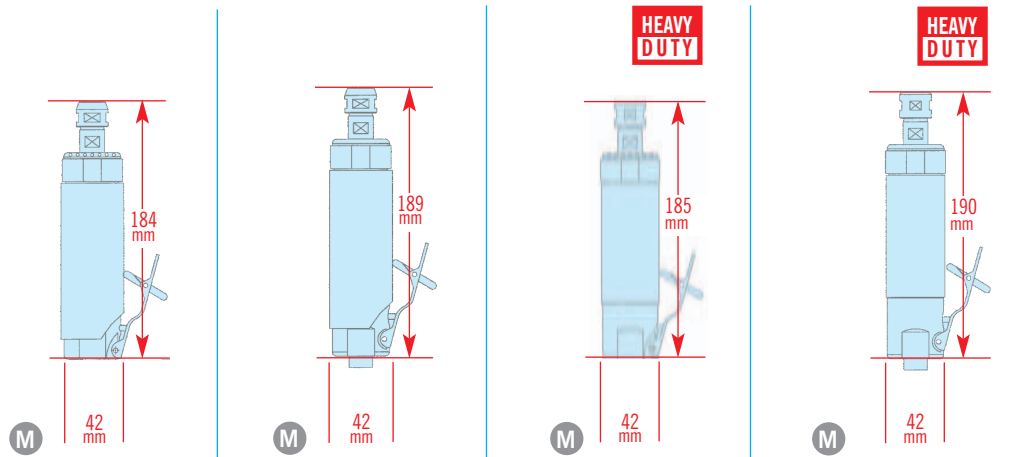
S10L



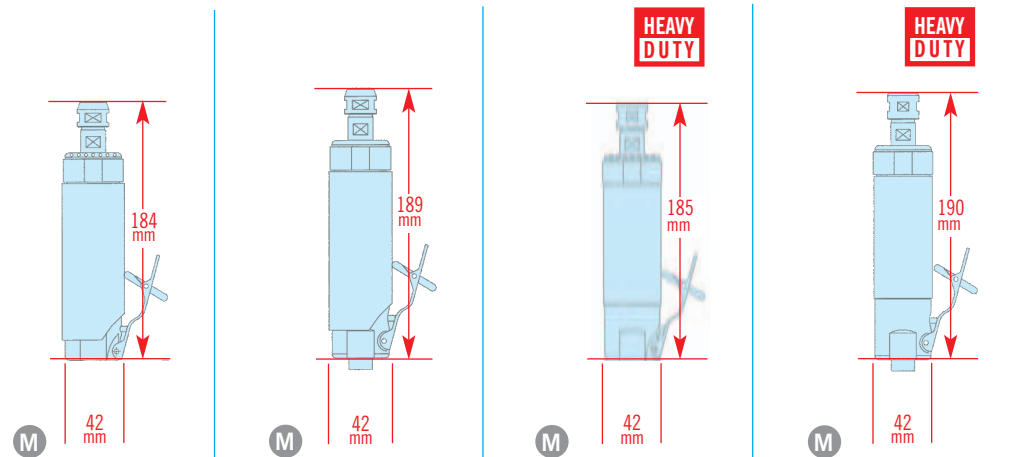
Model Ref.	S22L	S22LR	S22LHD	S22LRHD
Speed (rpm)	22,000	22,000	22,000	22,000
Power	0.63kW / 0.85Hp	0.63kW / 0.85Hp	0.63kW / 0.85Hp	0.63kW / 0.85Hp
Weight (kgs)	0.93	1.00	1.10	1.20
Noise Level (dbA)	71	70	71	70
Standard Collet (mm)	6 (Type CA)	6 (Type CA)	6 (Type CA)	6 (Type CA)
Air Usage (m ³ /min)	0.85	0.85	0.85	0.85
Exhaust	Front	Rear	Front	Rear
Control	Lever throttle	Lever throttle	Lever throttle	Lever throttle
Hose	Option-1/4"	Included-1/4"	Option-1/4"	Included-1/4"

(M) Replacement motors available.

High Power Straight Grinders



Model Ref.	S16L	S16LR	S16LHD	S16LRHD
Speed (rpm)	16,000	16,000	16,000	16,000
Power	0.63kW / 0.85Hp	0.63kW / 0.85Hp	0.63kW / 0.85Hp	0.63kW / 0.85Hp
Weight (kgs)	0.93	1.00	1.10	1.20
Noise Level (dbA)	66	65	66	65
Standard Collet (mm)	6 (Type CA)	6 (Type CA)	6 (Type CA)	6 (Type CA)
Air Usage (m ³ /min)	0.85	0.85	0.85	0.85
Exhaust	Front	Rear	Front	Rear
Control	Lever throttle	Lever throttle	Lever throttle	Lever throttle
Hose	Option-1/4"	Included-1/4"	Option-1/4"	Included-1/4"



Model Ref.	S10L	S10LR	S10LHD	S10LRHD
Speed (rpm)	10,000	10,000	10,000	10,000
Power	0.63kW / 0.85Hp	0.63kW / 0.85Hp	0.63kW / 0.85Hp	0.63kW / 0.85Hp
Weight (kgs)	0.93	1.00	1.10	1.20
Noise Level (dbA)	65	64	65	64
Standard Collet (mm)	6 (Type CA)	6 (Type CA)	6 (Type CA)	6 (Type CA)
Air Usage (m ³ /min)	0.85	0.85	0.85	0.85
Exhaust	Front	Rear	Front	Rear
Control	Lever throttle	Lever throttle	Lever throttle	Lever throttle
Hose	Option-1/4"	Included-1/4"	Option-1/4"	Included-1/4"

Extended Body Straight Grinders



Application Sectors

- Automotive
- Fabrication
- Foundries
- Shipyards

Recommended Consumables

- Tungsten Carbide Burrs
- Mounted Points
- Flap Wheels
- Abrasive Bands

Key Points

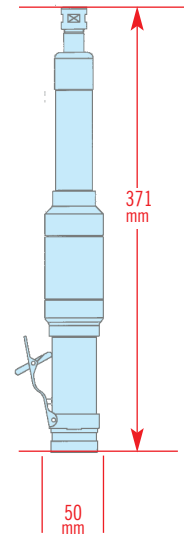
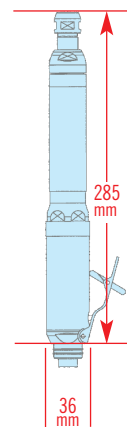
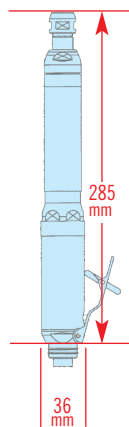
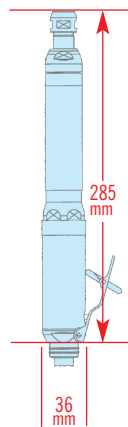
- Extended body for two handed operation and improved control
- Spindle mounted on precision ball bearings for efficient operation
- Wide range of speeds for all applications
- Powerful motor provides good surface finish

Areas of Use

Heavy duty grinding, deburring, sanding and polishing

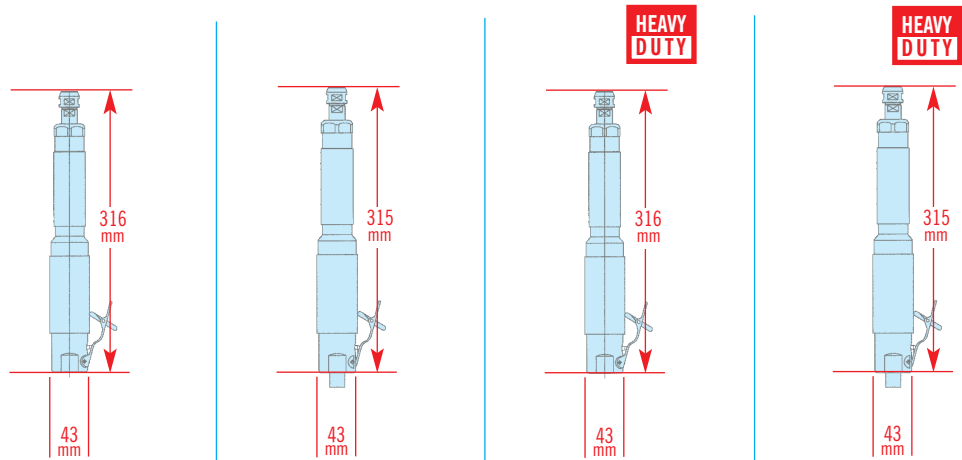


SDX37LR

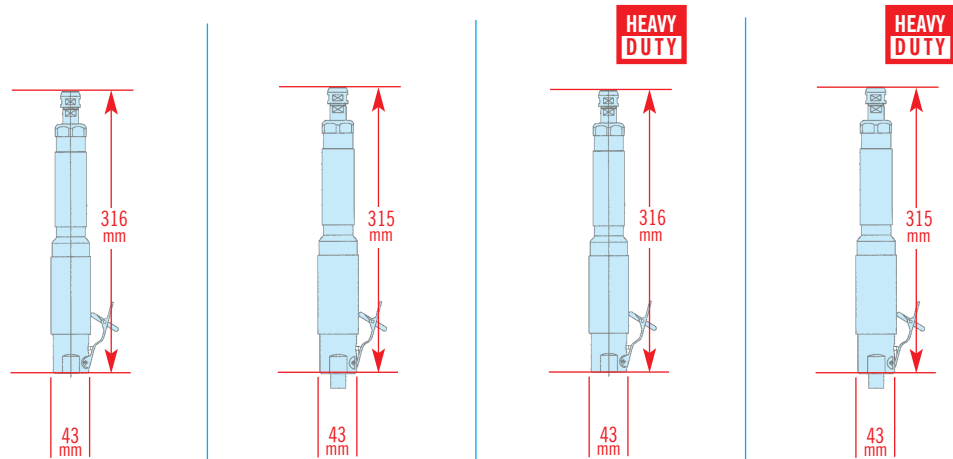


Model Ref.	SDX37LR	SDX30LR	SDX26LR	SHG18LR
Speed (rpm)	37,000	30,000	25,000	18,000
Power	0.30kW / 0.40Hp	0.30kW / 0.40Hp	0.30kW / 0.40Hp	1.12kW / 1.50Hp
Weight (kgs)	0.80	0.80	0.80	2.50
Noise Level (dbA)	74	73	72	70
Standard Collet (mm)	6 (Type CA)	6 (Type CA)	6 (Type CA)	6 (Type CA)
Air Usage (m3/min)	0.57	0.57	0.57	1.13
Exhaust	Rear	Rear	Rear	Rear
Control	Lever throttle	Lever throttle	Lever throttle	Lever throttle
Hose	Included-1/4"	Included-1/4"	Included-1/4"	Included-1/2"

Extended Body Straight Grinders

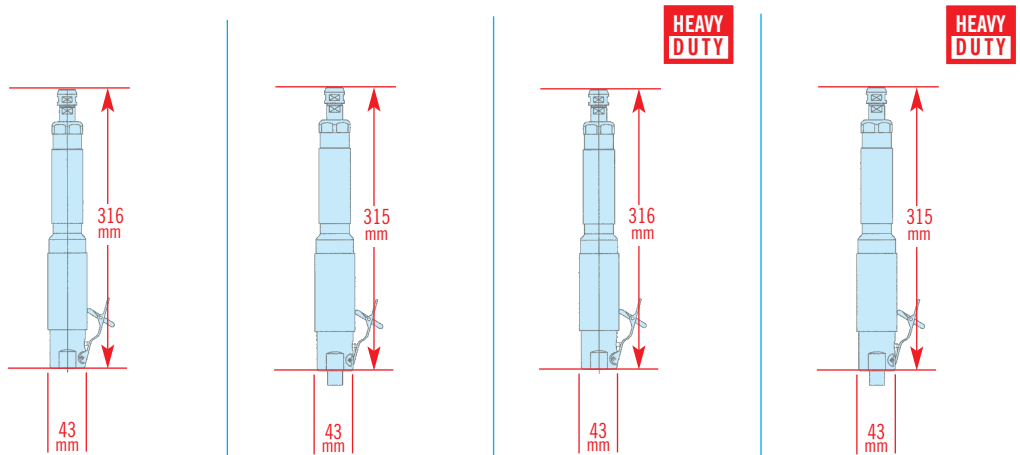
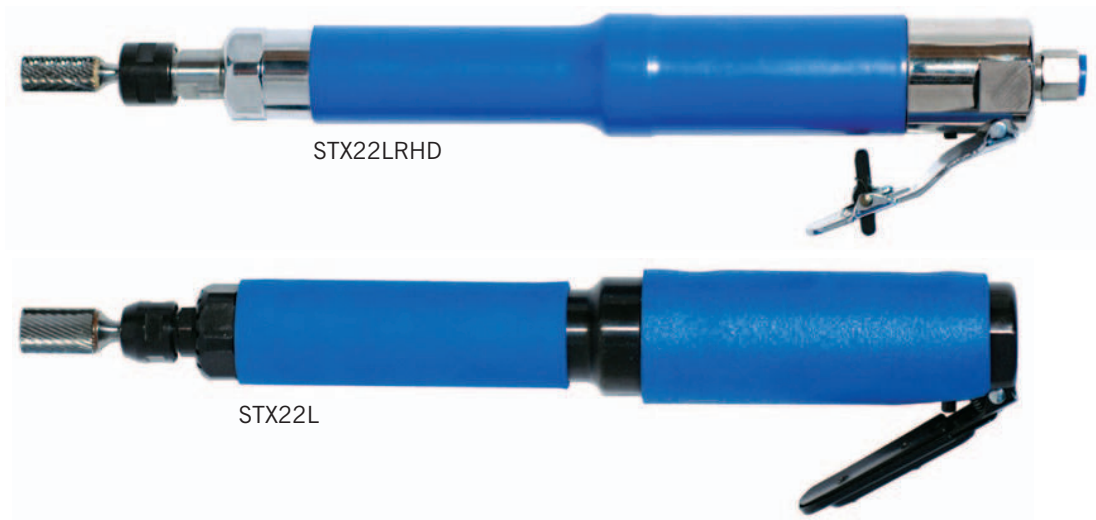


Model Ref.	STX22L	STX22LR	STX22LHD	STX22LRHD
Speed (rpm)	22,000	22,000	22,000	22,000
Power	0.63kW / 0.85Hp	0.63kW / 0.85Hp	0.63kW / 0.85Hp	0.63kW / 0.85Hp
Weight (kgs)	1.40	1.40	1.60	1.60
Noise Level (dba)	71	70	71	71
Standard Collet (mm)	6 (Type CA)	6 (Type CA)	6 (Type CA)	6 (Type CA)
Air Usage (m ³ /min)	0.85	0.85	0.85	0.85
Exhaust	Front	Rear	Front	Rear
Control	Lever throttle	Lever throttle	Lever throttle	Lever throttle
Hose	Option-1/4"	Included-1/4"	Option-1/4"	Included-1/4"



Model Ref.	STX16L	STX16LR	STX16LHD	STX16LRHD
Speed (rpm)	16,000	16,000	16,000	16,000
Power	0.63kW / 0.85Hp	0.63kW / 0.85Hp	0.63kW / 0.85Hp	0.63kW / 0.85Hp
Weight (kgs)	1.40	1.40	1.60	1.60
Noise Level (dba)	66	65	66	65
Standard Collet (mm)	6 (Type CA)	6 (Type CA)	6 (Type CA)	6 (Type CA)
Air Usage (m ³ /min)	0.85	0.85	0.85	0.85
Exhaust	Front	Rear	Front	Rear
Control	Lever throttle	Lever throttle	Lever throttle	Lever throttle
Hose	Option-1/4"	Included-1/4"	Option-1/4"	Included-1/4"

Extended Body Straight Grinders



Model Ref.	STX10L	STX10LR	STX10LHD	STX10LRHD
Speed (rpm)	10,000	10,000	10,000	10,000
Power	0.63kW / 0.85Hp	0.63kW / 0.85Hp	0.63kW / 0.85Hp	0.63kW / 0.85Hp
Weight (kgs)	1.40	1.40	1.60	1.60
Noise Level (dbA)	65	64	65	64
Standard Collet (mm)	6 (Type CA)	6 (Type CA)	6 (Type CA)	6 (Type CA)
Air Usage (m ³ /min)	0.85	0.85	0.85	0.85
Exhaust	Front	Rear	Front	Rear
Control	Lever throttle	Lever throttle	Lever throttle	Lever throttle
Hose	Option-1/4"	Included-1/4"	Option-1/4"	Included-1/4"

Extended Spindle Straight Grinders

Application Sectors

- Aerospace
- Automotive
- Fabrication
- Foundries

Recommended Consumables

- Tungsten Carbide Burrs
- Mounted Points
- Flap Wheels
- Abrasive Bands

Key Points

- A wide range of speeds and spindle configurations for grinding in hard to reach areas
- Compact high power tool for single handed operation

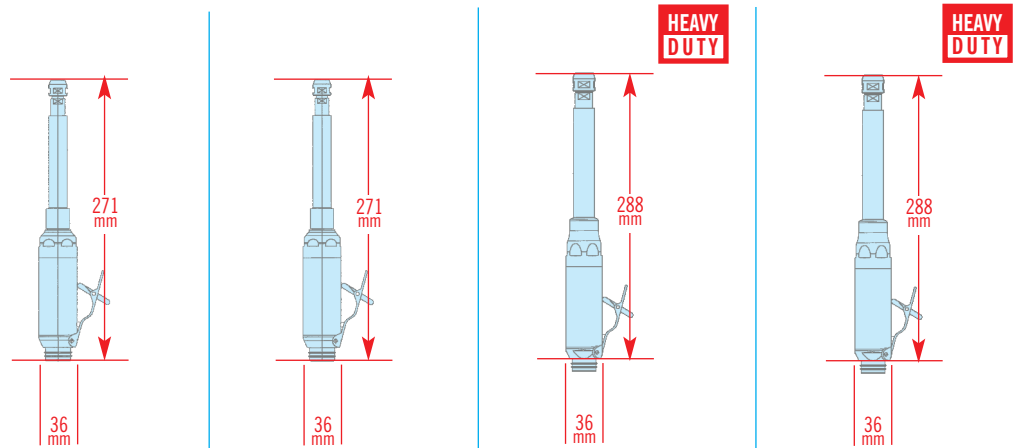
Areas of Use

All types of grinding, deburring, finishing and polishing in areas with restricted access



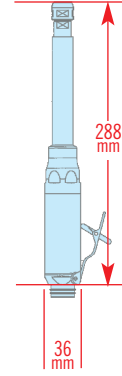
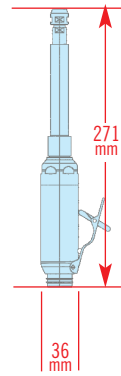
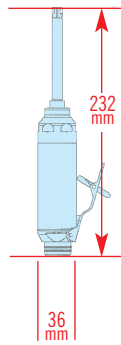
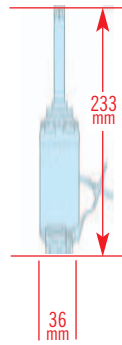
SD37LR-125

SD26L-ES

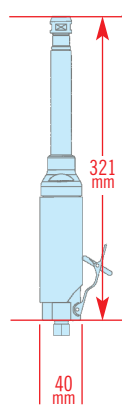
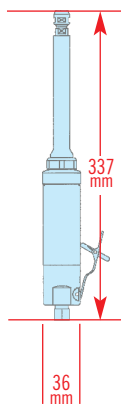


Model Ref.	SD37LR-125	SD30LR-125	SDH37LR-150	SDH30LR-150
Speed (rpm)	37,000	30,000	37,000	30,000
Power	0.30kW / 0.40Hp	0.30kW / 0.40Hp	0.30kW / 0.40Hp	0.30kW / 0.40Hp
Weight (kgs)	0.54	0.54	0.82	0.82
Noise Level (dbA)	74	73	73	73
Standard Collet (mm)	6 (Type CB)	6 (Type CB)	6 (Type CA)	6 (Type CA)
Air Usage (m ³ /min)	0.57	0.57	0.57	0.57
Exhaust	Rear	Rear	Rear	Rear
Control	Lever throttle	Lever throttle	Lever throttle	Lever throttle
Hose	Included-1/4"	Included-1/4"	Included-1/4"	Included-1/4"

Extended Spindle Straight Grinders

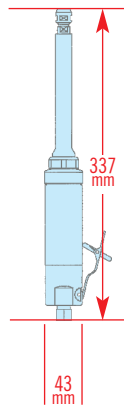


Model Ref.	SD26L-ES	SD26LR-ES	SD26LR-125	SDH26LR-150
Speed (rpm)	25,000	25,000	25,000	25,000
Power	0.30kW / 0.40Hp	0.30kW / 0.40Hp	0.30kW / 0.40Hp	0.30kW / 0.40Hp
Weight (kgs)	0.45	0.45	0.54	0.82
Noise Level (dbA)	72	72	72	72
Standard Collet (mm)	3 (Type CD)	3 (Type CD)	6 (Type CB)	6 (Type CA)
Air Usage (m ³ /min)	0.57	0.57	0.57	0.57
Exhaust	Front	Rear	Rear	Rear
Control	Lever throttle	Lever throttle	Lever throttle	Lever throttle
Hose	Option-1/4"	Included-1/4"	Included-1/4"	Included-1/4"

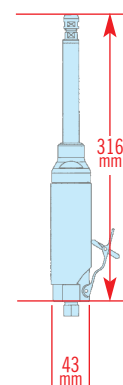
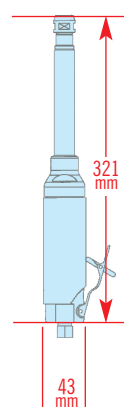
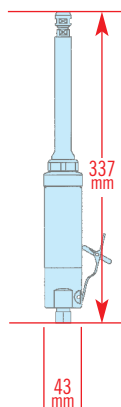


Model Ref.	SX22LR	SX22LR/2	SX22LR/2-3
Speed (rpm)	22,000	22,000	22,000
Power	0.63kW / 0.85Hp	0.63kW / 0.85Hp	0.63kW / 0.85Hp
Weight (kgs)	1.17	1.27	1.27
Noise Level (dbA)	70	70	70
Standard Collet (mm)	6 (Type CB)	6 (Type CA)	6 (Type CB)
Air Usage (m ³ /min)	0.85	0.85	0.85
Exhaust	Rear	Rear	Rear
Control	Lever throttle	Lever throttle	Lever throttle
Hose	Included-1/4"	Included-1/4"	Included-1/4"

Extended Spindle Straight Grinders



Model Ref.	SX16LR	SX16LR/2	SX16LR/2-3
Speed (rpm)	16,000	16,000	16,000
Power	0.63kW / 0.85Hp	0.63kW / 0.85Hp	0.63kW / 0.85Hp
Weight (kgs)	1.17	1.27	1.27
Noise Level (dbA)	65	65	65
Standard Collet (mm)	6 (Type CB)	6 (Type CA)	6 (Type CB)
Air Usage (m ³ /min)	0.85	0.85	0.85
Exhaust	Rear	Rear	Rear
Control	Lever throttle	Lever throttle	Lever throttle
Hose	Included-1/4"	Included-1/4"	Included-1/4"



Model Ref.	SX10LR	SX10LR/2	SX10LR/2-3
Speed (rpm)	10,000	10,000	10,000
Power	0.63kW / 0.85Hp	0.63kW / 0.85Hp	0.63kW / 0.85Hp
Weight (kgs)	1.17	1.27	1.27
Noise Level (dbA)	64	64	64
Standard Collet (mm)	6 (Type CB)	6 (Type CA)	6 (Type CB)
Air Usage (m ³ /min)	0.85	0.85	0.85
Exhaust	Rear	Rear	Rear
Control	Lever throttle	Lever throttle	Lever throttle
Hose	Included-1/4"	Included-1/4"	Included-1/4"

Small Right Angle Disc Sanders & Grinders



Application Sectors

- Aerospace
- Automotive
- Die and Mould
- Fabrication

Recommended Consumables

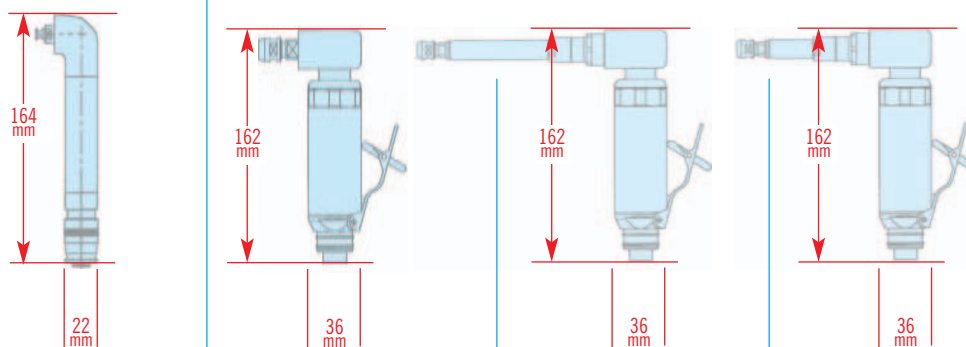
- Grinding Discs
- Sanding Discs
- Quick Change Discs
- Mounted Points
- Flap Wheels
- Abrasive Bands

Key Points

- A wide range of speeds to suit every application
- Front, side and rear exhaust options
- Compact design for single handed use
- Optional side handle provides, greater control RA13C only

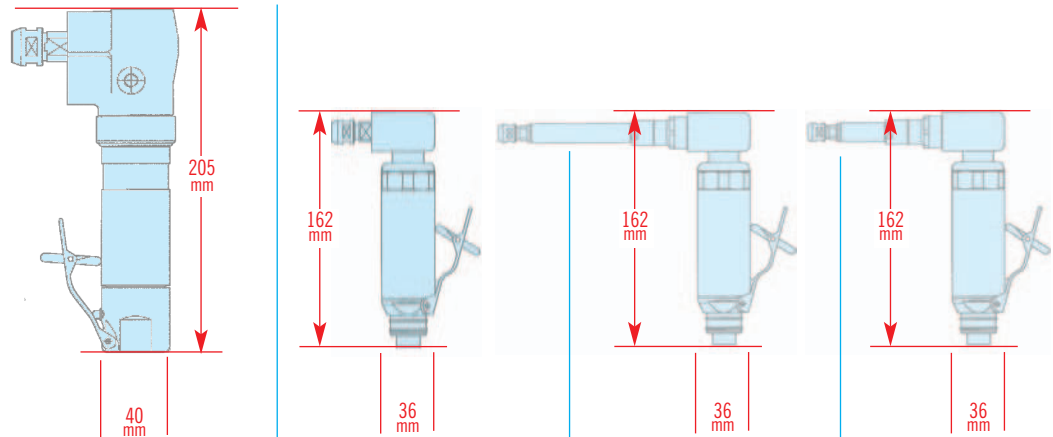
Areas of Use

For sanding, grinding, deburring, finishing and polishing with consumables of 20–75mm diameter

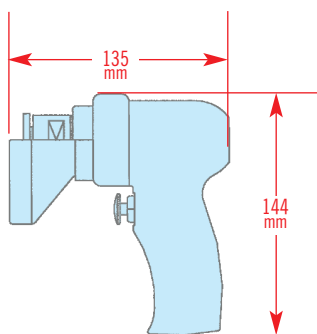


Model Ref.	RA25R	RA20LR	RA20LRX-125	RA20LRX-75
Speed (rpm)	25,000	20,000	20,000	20,000
Power	0.11kW / 0.15Hp	0.30kW / 0.40Hp	0.30kW / 0.40Hp	0.30kW / 0.40Hp
Weight (kgs)	0.23	0.52	0.70	0.65
Noise Level (dbA)	68	74	74	74
Standard Collet (mm)	3 (Type CD)	6 (Type CB)	6 (Type CB)	6 (Type CB)
Air Usage (m ³ /min)	0.20	0.57	0.57	0.57
Exhaust	Rear	Rear	Rear	Rear
Control	Push pull	Lever throttle	Lever throttle	Lever throttle
Hose	Included-1/4"	Included-1/4"	Included-1/4"	Included-1/4"

Small Right Angle Disc Sanders & Grinders



Model Ref.	RA13C	RA10LR	RA10LRX-125	RA10LRX-75
Speed (rpm)	13,000	12,000	12,000	12,000
Power	0.82kW / 1.10Hp	0.30kW / 0.40Hp	0.30kW / 0.40Hp	0.30kW / 0.40Hp
Weight (kgs)	1.5	0.52	0.70	0.65
Noise Level (dbA)	72	71	71	71
Standard Collet (mm)	6 (Type CA)	6 (Type CB)	6 (Type CB)	6 (Type CB)
Air Usage (m ³ /min)	0.92	0.57	0.57	0.57
Exhaust	Front	Rear	Rear	Rear
Control	Lever throttle	Lever throttle	Lever throttle	Lever throttle
Hose	Option-1/4"	Included-1/4"	Included-1/4"	Included-1/4"



Model Ref.	RA17
Speed (rpm)	17,000
Power	0.37kW / 0.50Hp
Weight (kgs)	1.20
Noise Level (dbA)	70
Flange Size (mm)	15.9
Air Usage (m ³ /min)	0.57
Exhaust	Front
Control	Trigger
Hose	Option-1/4"

Application Sectors

- Aerospace
- Automotive
- Die and Mould
- Fabrication

Recommended Consumables

- Grinding Discs
- Sanding Discs
- Quick Change Discs
- Tungsten Carbide Burrs
- Mounted Points
- Flap Wheels
- Abrasive Bands

Key Points

- Supplied complete with direct fitting attachment for ATADISC and SCRULOCK disc systems
- Pistol grip for comfortable single handed operation
- Front exhaust clears chips away from work piece
- Collet chuck option (Type CA) for 3, 6, 8 and 10mm spindles
- Key chuck option for spindles 0.5 to 6mm

Areas of Use

For light sanding, grinding, deburring, finishing and polishing with consumables of 20–75mm diameter



Medium Right Angle Disc Sanders & Grinders



Application Sectors

- Aerospace
- Automotive
- Fabrication
- Foundries
- Shipyards

Recommended Consumables

- Grinding Discs
- Flap Wheels
- Cutting Discs

Key Points

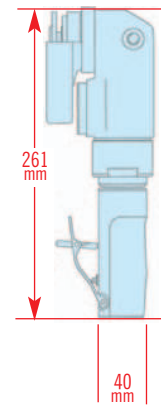
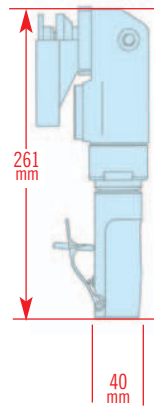
- 3 speed options to suit diameter
100mm, 115mm and 125mm discs
- Front, side and rear exhaust options
- Small machine size for single handed use
- Optional side handle provides greater control
- Dynamic auto-balancing optional
for reduced vibration

Areas of Use

For heavy sanding, grinding, deburring, finishing and polishing with consumables of 100-125mm diameter

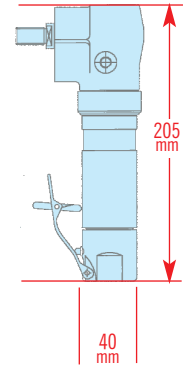
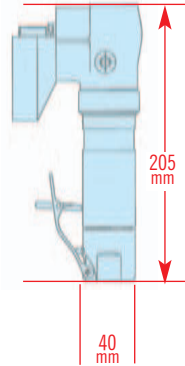


For exhaust, spindle and handle options see page 19 of the catalogue.

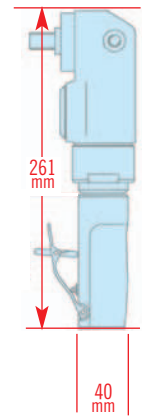
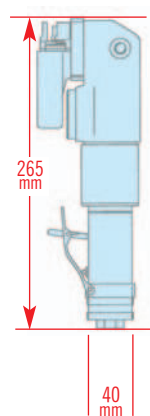
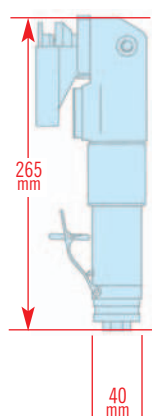
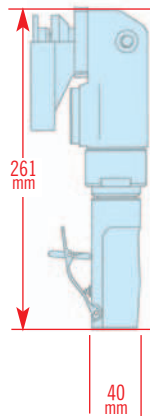


Model Ref.	RA14-100DS1	RA14-115DSI	RA14-115PA4	RA14-125PA4
Speed (rpm)	15,000	13,000	13,000	12,000
Power	1.10kW / 1.50Hp	1.10kW / 1.50Hp	1.10kW / 1.50Hp	1.10kW / 1.50Hp
Weight (kgs)	1.90	1.90	1.90	1.90
Noise Level (dbA)	79	79	77	75
Flange Size (mm)	15.9	22.2	22.2	22.2
Air Usage (m ³ /min)	1.13	1.13	1.13	1.13
Exhaust	Side	Side	Side	Side
Control	Lever throttle	Lever throttle	Lever throttle	Lever throttle
Hose	Option-1/2"	Option-1/2"	Option-1/2"	Option-1/2"

Medium Right Angle Disc Sanders & Grinders



Model Ref.	RA13-100	RA13-115	RA13S-100	RA13S-115
Speed (rpm)	13,000	13,000	13,000	13,000
Power	0.82kW / 1.10Hp	0.82kW / 1.10Hp	0.82kW / 1.10Hp	0.82kW / 1.10Hp
Weight (kgs)	1.60	1.60	1.60	1.60
Noise Level (dbA)	73	73	73	73
Flange Size (mm)	15.9	22.2	15.9	22.2
Air Usage (m ³ /min)	0.92	0.92	0.92	0.92
Exhaust	Front	Front	Front	Front
Control	Lever throttle	Lever throttle	Lever throttle	Lever throttle
Hose	Option-1/4"	Option-1/4"	Option-1/4"	Option-1/4"



Model Ref.	RA14-125DS1	RA14-125RS1	RA14-125RA4	RA14S-125DS1	RA14S-125RS1
Speed (rpm)	12,000	12,000	12,000	12,000	12,000
Power	1.10kW / 1.50Hp	1.10kW / 1.50Hp	1.10kW / 1.50Hp	1.10kW / 1.50Hp	1.10kW / 1.50Hp
Weight (kgs)	1.90	1.90	1.90	1.90	1.90
Noise Level (dbA)	79	75	75	79	75
Flange Size (mm)	22.2	22.2	22.2	22.2	22.2
Air Usage (m ³ /min)	1.13	1.13	1.13	1.13	1.13
Exhaust	Side	Rear	Rear	Side	Rear
Control	Lever throttle	Lever throttle	Lever throttle	Lever throttle	Lever throttle
Hose	Option-1/2"	Included-1/2"	Included-1/2"	Option-1/2"	Included-1/2"

Options for the RA14 range of Disc Sanders & Grinders

Exhaust Options

Type D

Diffuser for noise reduction.

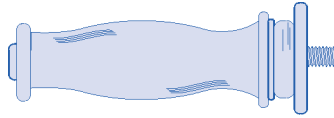
Type P

Piston type for noise reduction with reduced shut off noise.

Type R

Rear exhaust.

Side Handle Options



Type A

Rugged all rubber handle. Comfortable ergonomic design with rubber isolation buffer for reduced vibration from the process.
Part No: 140-792-10

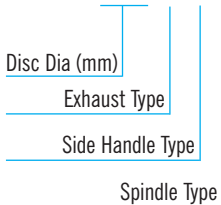


Type S

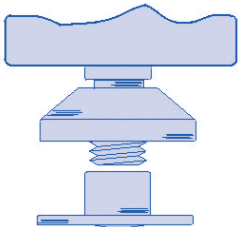
Solid handle rugged design
Part No: 140-756-20

Guide to Model Ref.

RA14 -125 D S 1



Spindle Options for Disc Grinders

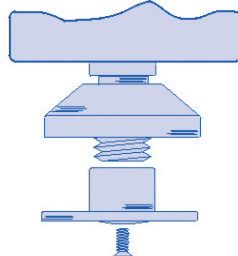


TYPE 1-22 and TYPE 1-16
Standard threaded flange with safety screw.

TYPE 1-22 for wheels with 22mm (7/8") centre hole.

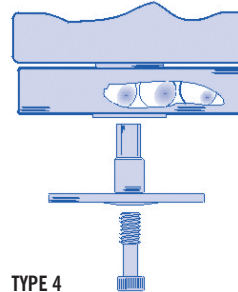
TYPE 1-16 for wheels with 16mm (5/8") centre hole.

Note: 1-22 can be converted to Type 3-5/8 by removing flange and adding spacer Part No: 233-105-10



TYPE 8-M14

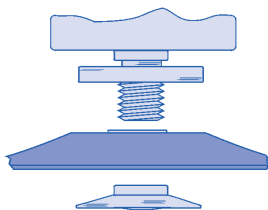
Threaded spindle for threaded centre hubbed wheels or other thread on consumables such as wire brushes.



TYPE 4

Dynamic autobalance system counteracts wheel imbalance. Low vibration increases wheel life & reduces operator fatigue. Quick fit locking flange for easy wheel change - use only common hex wrench. Available only for wheels with 22mm (7/8") centre hole.

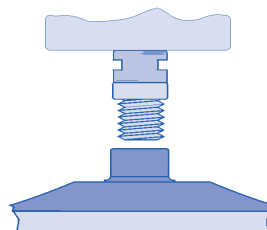
Spindle Options for Disc Sanders



TYPE 1-22 and TYPE 1-16
Standard threaded flange.

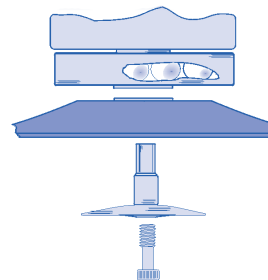
TYPE 1-22 for discs with 22mm (7/8") centre hole.

TYPE 1-16 for discs with 16mm (5/8") centre hole.



TYPE 8-M14

Threaded spindle for threaded centre backing pads. Available with threads 5/8-11, 3/8-24 and M14.



TYPE 4

Dynamic autobalance system counteracts imbalance. Available only for discs with 22mm (7/8") centre hole.

Large Right Angle Disc Sanders & Grinders

Application Sectors

- Aerospace
- Ship Building
- Foundries
- Fabrication
- Automotive

Recommended Consumables

- Grinding Discs
- Cutting Discs
- Resin Fibre Discs
- Flap Wheels

Key Points

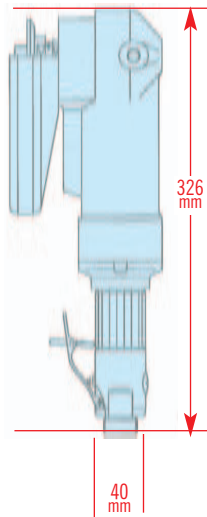
- Supplied with anti-vibration handle as standard
- Rugged design for the most demanding environments
- Use 230mm wheels on model RA6
- Use 170mm wheels on model RA8

Areas of Use

For heavy sanding, grinding, deburring and finishing with consumables of 170-230mm diameter



RA8AVH



Model Ref.	RA8AVH	RA6AVH
Speed (rpm)	8,500	6,500
Power	1.50kW / 2.00Hp	1.50kW / 2.00Hp
Weight (kgs)	3.5	3.5
Noise Level (dbA)	79	79
Flange Size (mm)	22.2	22.2
Air Usage (m ³ /min)	1.90	1.90
Exhaust	Front	Front
Control	Lever throttle	Lever throttle
Hose	Option-3/4"	Option-3/4"

Right Angle Low Speed Grinders, Sanders & Polishers



Application Sectors

- Aerospace
- Automotive
- Die and Mould
- Fabrication
- Foundries
- Shipyards

Recommended Consumables

- Grinding Discs
- Sanding Discs
- Quick Change Discs
- Flap Wheels
- Abrasive Bands

Key Points - RAB4LR

- Designed to reduce overheating and sparking on titanium
- Planetary gear system provides high torque at low speeds
- Extended range available for hard to reach areas

Areas of Use - RAB4LR

For grinding, sanding, finishing and polishing work on titanium, stainless steel, aluminium, fibre glass and wood

Key Points - RA5/RA2

- Oil re-circulation system prolongs gear life
- Low height improves access to work piece
- Lightweight and durable construction
- Side handle may be fitted left or right to suit operator

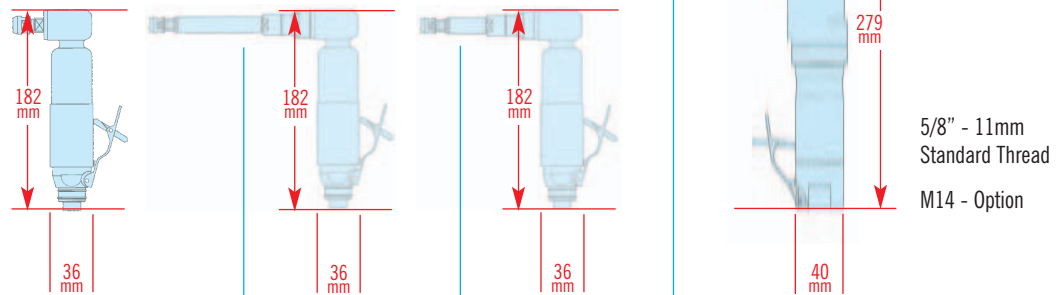
Areas of Use - RA5/RA2

For grinding and sanding operations with consumables of 178-230mm diameter



RAB4LR

RA5



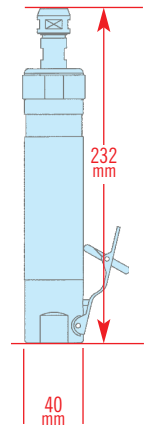
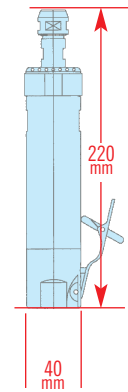
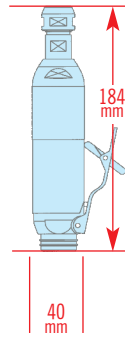
All have Lever Control

Model Ref.	RAB4LR	RAB4LRX-125	RAB4LRX-75	RA5	RA2
Speed (rpm)	3,500	3,500	3,500	5,500	2,700
Power	0.30kW / 0.40Hp	0.30kW / 0.40Hp	0.30kW / 0.40Hp	0.82kW / 1.10Hp	0.82kW / 1.10Hp
Weight (kgs)	0.69	0.71	0.70	2.75	2.75
Noise Level (dbA)	67	67	67	69	68
Standard Collet (mm)	6 (Type CB)	6 (Type CB)	6 (Type CB)	-	-
Flange Size (mm)	-	-	-	22.2	22.2
Air Usage (m ³ /min)	0.57	0.57	0.57	0.92	0.92
Exhaust	Rear	Rear	Rear	Front	Front
Hose	Included-1/4"	Included-1/4"	Included-1/4"	Option-1/4"	Option-1/4"

Straight Low Speed Grinders, Sanders & Polishers

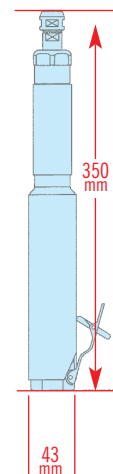
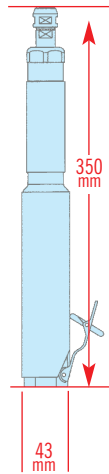


All have Lever Control



Model Ref.	SB10LR	SB5LR	S5L	S5LR
Type Straight / Angle	Straight	Straight	Straight	Straight
Speed (rpm)	9,000	5,000	5,000	5,000
Power	0.30kW / 0.40Hp	0.30kW / 0.40Hp	0.63kW / 0.85Hp	0.63kW / 0.85Hp
Weight (kgs)	0.60	0.60	1.30	1.30
Noise Level (dbA)	68	68	66	65
Standard Collet (mm)	6 (Type CA)	6 (Type CA)	6 (Type CA)	6 (Type CA)
Air Usage (m ³ /min)	0.57	0.57	0.85	0.85
Exhaust	Rear	Rear	Front	Rear
Hose	Included-1/4"	Included-1/4"	Option-1/4"	Included-1/4"

All have Lever Control



Model Ref.	STX5L	STX5LR	STX3L	STX3LR
Type Straight / Angle	Straight	Straight	Straight	Straight
Speed (rpm)	5,000	5,000	3,000	3,000
Power	0.63kW / 0.85Hp	0.63kW / 0.85Hp	0.63kW / 0.85Hp	0.63kW / 0.85Hp
Weight (kgs)	1.60	1.60	1.60	1.60
Noise Level (dbA)	66	65	64	63
Standard Collet (mm)	6 (Type CA)	6 (Type CA)	6 (Type CA)	6 (Type CA)
Air Usage (m ³ /min)	0.85	0.85	0.85	0.85
Exhaust	Front	Rear	Front	Rear
Hose	Option-1/4"	Included-1/4"	Option-1/4"	Included-1/4"

Belt Sanders



Application Sectors

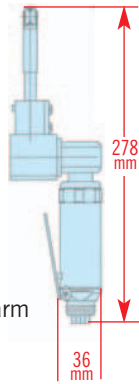
- Aerospace
- Automotive
- Fabrications
- Foundries
- Machine Shops

Recommended Consumables

- Grinding Belts

Key Points

- Rapid belt change
- No tools required to change contact wheel arm
- Supplied with standard arm



Model Ref.	RAL20L
Speed (rpm)	20,000
Power	0.30kW / 0.40Hp
Weight (kgs)	0.85
Standard Belt Size (mm)	12x305
Noise Level (dbA)	74
Air Usage (m ³ /min)	0.57
Exhaust	Rear
Control	Lever throttle
Hose	Included-1/4"

Areas of Use

Linishing on small components or in hard to reach areas

Standard Contact Wheel Arm for RAL20L

Rubber Wheel. 16mm Dia. **Part No: 515-133-20** 305mm x 12mm Belt



Optional Contact Wheel Arms for RAL20L

Rubber Wheel. 16mm Dia. **Part No: 515-134-20** 457mm x 12mm Belt



Steel Wheel. 8mm Dia. **Part No: 515-136-20** 457mm x 12mm Belt



Steel Wheel. 8mm Dia. **Part No: 515-135-20** 305mm x 12mm Belt



Steel Wheel. 8mm Dia. **Part No: 515-137-20** 305mm x 6mm Belt



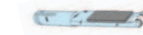
Steel Wheel. 8mm Dia. **Part No: 515-138-20** 457mm x 6mm Belt



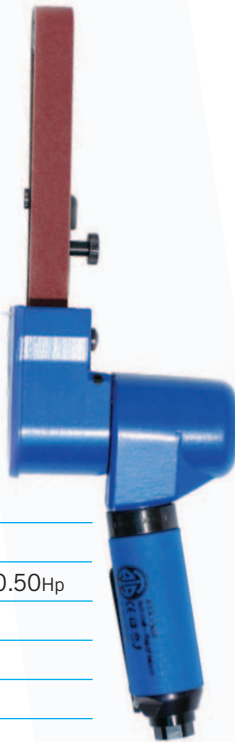
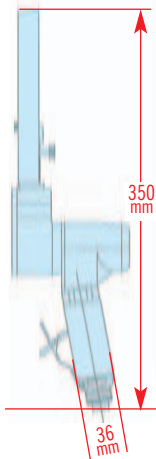
Rubber Wheel. 16mm Dia. **Part No: 515-100-20** 330mm x 12mm Belt



Rubber Wheel. 8mm Dia. **Part No: 515-071-20** 305mm x 12mm Belt



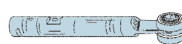
All arms are supplied with soft platen fitted.



Model Ref.	BL16L
Speed (rpm)	16,000
Power	0.37kW / 0.50Hp
Weight (kgs)	1.3
Standard Belt Size (mm)	480x20
Noise Level (dbA)	73
Air Usage (m ³ /min)	0.60
Exhaust	Front
Control	Lever throttle
Hose	Option-1/4"

Standard Contact Wheel Arm for BL16L

Rubber Wheel. 25mm Dia. **Part No: 516-015-20** 480mm x 20mm Belt



Order Platen Separately.
Part No: 516-022-20

Optional Contact Wheel Arms for BL16L

Rubber Wheel. 25mm Dia. **Part No: 516-029-20** 480mm x 25mm Belt



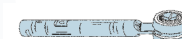
Order Platen Separately.
Part No: 516-022-20

Rubber Wheel. 25mm Dia. **Part No: 516-027-20** 457mm x 20mm Belt



Order Platen Separately.
Part No: 516-022-20

Rubber Wheel. 14mm Dia. **Part No: 516-028-20** 480mm x 20mm Belt



Order Platen Separately.
Part No: 516-022-20

Rubber Wheel. 25mm Dia. **Part No: 516-026-20** 480mm x 12mm BBelt



Order Platen Separately.
Part No: 516-022-20

Steel Wheel. 16mm Dia. **Part No: 516-024-20** 480mm x 12mm Belt



Soft Platen Supplied.

Steel Wheel. 8mm Dia. **Part No: 516-025-20** 610mm x 12mm Belt



Soft Platen Supplied.

Additional Arm Types available on request.

ATA After Sales Services

Regular maintenance is a crucial factor when assessing ongoing efficiency and safety of tool use. ATA's policy of pricing quality spare parts economically enables routine preventative maintenance to be carried out cost-effectively. This contributes to reduced risk of vibration related injuries and can extend the life of both tool and consumable.

Managing Vibration Today

Hand Arm Vibration Syndrome (HAVS) and work related upper limb disorder (WRULD) are collective terms covering a number of potential serious injuries associated with extensive use of percussion and rotary tools, of which vibration white finger (VWF) is the most commonly recognised. It has been widely acknowledged that vibration generated from hand held power tools is the major contributory factor in such ailments and unless managed in line with current EU legislation and standards the loss of potential downtime from potential injury cannot be guaranteed.

All of our products and services have been designed and implemented recognising the related vibration risk. ATA strive to deliver the customer maximum productivity whilst ensuring minimum impact to operators health. Continuous improvements to assist vibration and noise management such as ergo sleeves, auto-balancers, anti vibration handles and rear exhausts have been designed to optimise efficiency in order to reduce finger on trigger time (FOTT). We aim to ensure consumables are matched to grinders for optimum performance and both are manufactured to comply with all CE regulations. Our close relationship to our sister companies producing burrs and other abrasive consumables provides competitive advantage in our unparalleled product knowledge in the best tool to consumable combination offering the lowest possible vibration and highest possible productivity.



ATA Preventative Maintenance Programme

At ATA we offer to assist customers' vibration management systems. A tool survey is undertaken to start the programme to assist customers' risk assessments. Vibration levels are sustained at benchmark levels throughout the tools life. Service, repair and quality checks are all part of the service offered. Tools register maintained for customers.

Stage one

ATA personnel create a tool register where the tools are etched with an identifier. Initial tools for recall are agreed along with the frequency. A recall notice is issued to the appointed customer representative who arranges their prompt return.

Stage two

The tools are booked into the workshop and a job card created. Tools are inspected and serviced, any remedial work is identified and communicated by written quote, the tools are bench tested for run-out, vibration levels and speed. Information is captured both on a delivery note and on the tool record card. Tools are then returned to the customer.

Our service gives customers a guarantee that tools are being maintained to the highest standard, with original parts being used throughout. This programme provides the following benefits:

- **Managed Tool Population**
- **Safely Maintained Tools**
- **More Consistent Costs**
- **Tool Monitors**
- **Correctly Matched Tools/Consumables**
- **Convenient Delivery/Collection Service**
- **Continuous Process Advice**

For more information on this service please contact CIE



Grinder repairs workshop.



Bench test area.

ATA Replacement Motors



ATA offers a replacement motor facility on various models shown below in the table and with the symbol by the tool throughout the catalogue. M

- This allows downtime to be kept to a minimum.
- Replacement motors can be easily installed with proper training and equipment provide by ATA.
- After repair with a replacement motor, the customer has the equivalent of a new tool for a fraction of the cost.
- These motors come with the same guarantee as new tools. The original motor can again be repaired, (Using ATA replacement vanes bearings etc.) in the repair departments own time, or by ATA. The motor can then be ready for the next tool service.
- The use of replacement motors prevents the customer having to carry stock of extra tools to cover for tool breakdown.



1 Loosen



2 Disassemble



3 Replace motor



4 Tighten

M Model Ref.	Motor Part No:
SP75R	RM60/75
SP60R	RM60/75
S50	RM50
S50L	RM50
S50LR	RM50
SD45R	RMSD45
SD45R-CC	RMSD45CC
SD45LR	RMSD45
SD45LR-CC	RMSD45CC
SD37L	RMSD37
SD37LR	RMSD37
SD30L	RMSD30
SD30LR	RMSD30
SD26L	RMSD26
SD26LR	RMSD26
S22L	RM22
S22LR	RM22
S22LHD	RM22
S22LRHD	RM22
S16L	RM16
S16LR	RM16
S16LHD	RM16
S16LRHD	RM16
S10L	RM10
S10LR	RM10
S10LHD	RM10
S10LRHD	RM10
BL16L	RM15

ATA Accessories

ATA Collets

Type	CA	CB	CC	CD
Size	Part No:	Part No:	Part No:	Part No:
3/32"	N/A	N/A	133-103-10	133-113-10
1/8"	133-123-10	133-126-10	133-102-10	133-112-10
1/4"	133-107-10	133-116-10	N/A	N/A
3/8"	133-125-10	N/A	N/A	N/A
2.34mm	N/A	N/A	133-103-10	133-113-10
3.0mm	133-123-10	133-126-10	133-101-10	133-115-10
6.0mm	133-121-10	133-122-10	N/A	N/A
8.0mm	133-124-10	N/A	N/A	N/A
10.0mm	133-106-10	N/A	N/A	N/A

Special size collets available, please contact ATA and quote collet type and shank diameter required.

ATA Swivel Connector

ATA Swivel connectors are available for all tools with 1/4" inlet thread. The swivel connector makes it easier to work in awkward areas and helps to reduce operator strain. Connectors have a 25 degree bending angle and 360 degree swivel with no pressure loss. They have a very smooth operation and are trouble free.

1/4 Female x 1/4 Male Swivel Connector.
Part No: 166-860-00



Stripping Kits

Regular maintenance is a critically important factor when assessing on going efficiency and safety in use. With this regard ATA have a policy of low cost spare parts to enable routine, preventative maintenance to be carried out. In addition to our in-house repair facility, we offer explosion diagrams for spare parts, stripping instructions and stripping kits are available for all tools.



All tools conform with EC machinery directive and its amendments and CE marking directive 98/37/EC.

ATA Vitalizer Units

The ATA vitalizer units remove moisture and harmful solids from the air stream and create an airborne 'microfog' of oil which lubricates your ATA air motor, maintaining performance and ensuring long service life.



Part No:	Type	Connection Thread	Max Air Flow at 6.3 bar - 90psi SCFM - Cu.M/min	
FL-1/4	Manual drain filter with micro fog lubricator and mounting bracket.	1/4"	40	1.2
AFL-1/4	Automatic drain filter with micro fog lubricator and mounting bracket.	1/4"	40	1.2
AFLRG-1/4	Automatic drain filter with regulator, gauge, micro fog lubricator and mounting bracket.	1/4"	40	1.2
FL-1/2	Automatic drain filter with micro fog lubricator and mounting bracket.	1/2"	120	3.4
AFLRG-1/2	Automatic drain filter with regulator, gauge, micro fog lubricator and mounting bracket.	1/2"	120	3.4

ATA Throttle Levers



Simple Lever: Fits all models. Check your safety legislation before fitting this lever.
Part No: 140-342-10



Toggle Lever: Fits all models.
Part No: 140-650-20



Slide Lever: Fits all models except RA14, RA10/20, RAB4LR, SB5LR, SD range.
Part No: 140-719-20



Lever Pin: Part No: 140-141-00
Punch for removing lever pin:
Part No: 140-050-10



Air Inlet & Exhaust Hose Assemblies

ATA Superflex hose assemblies are made from high performance PVC material with polyester fibre reinforcing. Their low weight and extra flexibility in combination with our low weight tools makes an ideal ergonomic solution.

On rear exhaust tools, ATA exhaust overhoses may be used for remote exhaust and lower noise levels. Where rear exhaust overhoses are used, hoses with special silencer foams may be used to further reduce noise levels.



ATA Superflex hose assemblies.



Hose assemblies complete with silencer for use with Rear Exhaust Overhose.



Exhaust Overhose snaps on easily to rear exhaust tools.

Tool Inlet Thread	Hose Assembly Thread Details	Superflex Inlet Hose	Exhaust Overhose (for rear exhaust tools)	Inlet and Exhaust
M8 Female	M8 Male x 1/4" Male	Part No: 177-010-20 Length: 2m x Ø6mm	Part No: 177-106-20 Length: 1m x Ø16mm	Part No: 177-012-20
1/8" Female	1/8" Male x 1/4" Male	Part No: 177-318-20 Length: 3m x Ø8mm	Part No: 177-944-20 Length: 1m x Ø19mm	Part No: 177-111-20
1/4" Female	1/4" Male x 1/4" Male	Part No: 177-314-20 Length: 3m x Ø8mm	Part No: 177-945-20 Length: 1m x Ø22mm	Part No: 177-110-20
1/2" Female	1/4" Male x 3/8" Male	Part No: 177-338-20 Length: 3m x Ø12mm	Part No: 177-005-20 Length: 1m x Ø50mm	
3/4" Female	3/4" Female x 3/4" Female	Part No: 177-312-20 Length: 3m x Ø16mm	N/A	
Model RA25R Special Fitting	1/4" Male Special Fitting	Part No: 177-647-20 Length: 2m x Ø6mm	Part No: 177-648-20 Length: 1m x Ø16mm	

AIR TOOL OIL

Frequent use of Air Tool Oil on all types of rotary and piston type air tools is recommended to ensure smooth start-ups and to achieve maximum performance and tool life.

ATA tools utilize a unique wick system which releases the oil onto the gears when the tool is running and reabsorbs the oil when the tool is stopped. Where tools are in constant use the oil should be replenished daily through the oil screw fitted in the angle head of the tool. ATA recommends the use of any high quality 68 cSt gear oil.

Failure to lubricate gears will void all warranties.

1 litre container of Air tool oil



Motor Power kW - Hp	Micro Fog Unit Size	Drips per Min.
0.11 - 0.15	1/4"	10
0.15 - 0.20	1/4"	10
0.19 - 0.25	1/4"	12
0.22 - 0.30	1/4"	15
0.26 - 0.35	1/4"	15
0.37 - 0.50	1/4"	15
0.63 - 0.85	1/4"	20
0.67 - 0.90	1/4"	20
0.82 - 1.10	1/4"	20
1.12 - 1.50	1/2"	20
1.50 - 2.00	1/2"	30
2.20 - 3.00	1/2"	30

The drip rates shown are approximate settings. If there is too much oil from the exhaust of the machine, the drip rate should be reduced slightly. These drip rates may not apply to lube units from other manufacturers. It is easiest to begin with a high drip rate, and reduce to the correct setting.

CIE Clyde Industrial Equipment Ltd.

Canada

Tel: 905-428-9696

Fax: 905-428-6787

Email: cie@cie.on.ca

Web: www.ciecanada.com

